



2016

GEAR REDUCERS

PRODUCTS CATALOG



DRIVING & CONTROLLING

INDUSTRY

WORLDWIDE GEAR REDUCERS

Table Of Contents



SHAFT MOUNT REDUCERS	PAGE	MULTIPLIER
The "Original" Shaft Mount Reducer		_____
Product Overview	3	
Output Shaft Overhung Load Ratings	3	
Mechanical Ratings	4-6	
Dimensions	7	
The "Ultimate" Shaft Mount Reducer		_____
Product Overview	8	
Output Shaft Overhung Load Ratings	8	
Mechanical Ratings	9-11	
Dimensions	12	
Competitive Interchange	13	
Accessories / Parts		_____
Backstop Assemblies, Belt Guards & Motor Mounts	14	
V-Belt Drive Center Distances Table	14	
Bushing Kits, Torque Arms & Rebuild Kits	15	
Shaft Mount Reducer System Components For The Screw Conveyor Application	16	_____
WORM GEAR REDUCERS		
Heavy Duty Cast Iron Worm Gear Reducers		_____
Product Overview / How To Order	17	
Mechanical Ratings	18	
Flange Input - Shaft Output	19	
Dimensions	20-21	
Flange Input - Hollow Bore Output	22	
Dimensions	23	
Shaft Input - Shaft Output	24	
Dimensions	25	
Competitive Interchange	26	
Accessories / Parts	27-28	
Aluminium Worm Gear Reducers		_____
Product Overview	29-30	
Mechanical Ratings	31	
Dimensions	32	
Competitor Dimensional Comparison	33	
Accessories / Parts	34	
INLINE HELICAL SPEED REDUCERS		
Product Overview / Maximum Ratings	35-38	_____
Mechanical Ratings	39-41	
Dimensions	42-43	
Competitor Dimensional Comparison	44-45	
GEARMOTORS		
Product Overview / Mechanical Ratings	46-49	_____
A.G.M.A. SERVICE FACTOR & LOAD CLASS INFORMATION		
Class of Service and Service Factors	50	
Service Factors for Worm Gear Reducers and Gearmotors	51-52	
Load Classification Numbers for Shaft Mount Reducers	53-54	
REFERENCE		
Terms and Conditions of Sale	55	
Warranty Policy	56	
Freight Terms	57	



WORLDWIDE GEAR REDUCERS

GEAR SELECTION APPLICATION QUESTIONNAIRE



Company: _____

Phone: _____ Fax: _____ Email: _____

Application description: _____

Ambient operating temperature range (degrees F): _____

Operating environment description: _____

Hours operated per day: _____ Start/Stops per day: _____

Is this a reversing application? Yes No if Yes, how often per hour: _____

Are there any size restrictions? Explain: _____

Moment of Inertia of Driven Machine: _____

PRIME MOVER INFORMATION:

Electric motor? Frame size: _____ Rated HP: _____ at _____ RPM

Foot mount? C-face? Integral garmotor? Peak torque (lbs.): _____

Frequency of peak torque: _____/hour

Duration of peak motor torque (seconds): _____ Phase/ frequency/ voltage: _____

Internal combustion engine? Single cylinder? Multi-cylinder?

HP _____ or torque (lbs.) _____ developed at _____ RPM

Other prime mover? Explain: _____

Is the prime mover directly coupled to the reducers? Yes No If No, explain: _____

GEAR DRIVE INFORMATION:

Type of unit required: (WINL) Inline Helical (SMR) Original Shaft Mount

(WSMR) Ultimate (HdR) Worm Gear Cast Iron or (CALM) Alum

Desired ratio: _____ Ratio tolerance: _____ Mounting position: _____

Constant speed? Variable speed? If variable speed, what is the desired speed range? _____

Backstop required? Yes No Which direction of rotation, Clockwise? Counter Clock?

Overhung Load? Input shaft Output shaft Radial load Thrust load

Radial load location on shaft of OHL from shaft shoulder (F_N): _____ (in.)

Angle of applied load: _____ (degrees) Load: (F_N Perm): _____ (lb.)

Thrust load - toward unit? Away from unit?

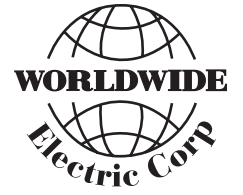
Special features or accessories required? Yes No

If Yes, detail features required (i.e. output covers, mounting brackets, etc.): _____



WORLDWIDE GEAR REDUCERS

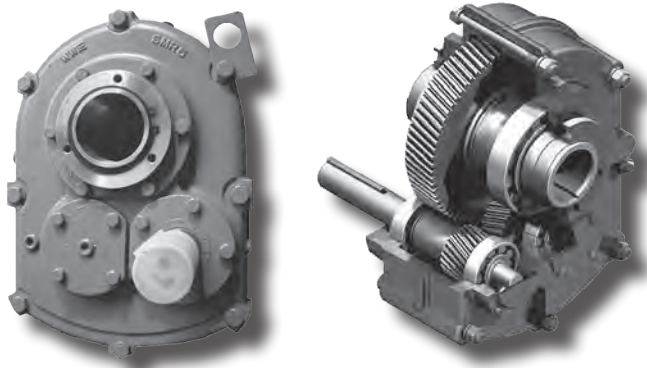
Notes



WORLDWIDE GEAR REDUCERS

Shaft Mount Reducers

The "Original" Shaft Mount Reducer



Product Overview

- 15:1 and 25:1 ratios
- Box sizes 2 - 10
- Tapered bushing type (bushing not included)
- Premium quality ball and tapered bearings - double lip seals
- Shafts and gears manufactured from high grade steel, case hardened and precision ground to A.G.M.A. standards
- Industrial grade all-cast iron housings protect gearing for life
- Extended gear centers and tooth contact
- Metal reinforced double lip, spring loaded oil seals
- Dimensional drop-in for all major makes
- Torque arm included
- 2 year warranty

SHAFT MOUNT REDUCERS

Box Size	Ratio	Output Bore (Max.)	Approx. Wt. (lbs.)	Model Number	List Price
2	15:1	1 15/16"	58	SMR2-15/1	-
	25:1			SMR2-25/1	
3	15:1	2 3/16"	98	SMR3-15/1	-
	25:1			SMR3-25/1	
4	15:1	2 7/16"	139	SMR4-15/1	-
	25:1			SMR4-25/1	
5	15:1	2 15/16"	207	SMR5-15/1	-
	25:1			SMR5-25/1	
6	15:1	3 7/16"	285	SMR6-15/1	-
	25:1			SMR6-25/1	
7	15:1	3 15/16"	462	SMR7-15/1	-
	25:1			SMR7-25/1	
8	15:1	4 7/16"	633	SMR8-15/1	-
	25:1			SMR8-25/1	
9	15:1	4 15/16"	760	SMR9-15/1	-
	25:1			SMR9-25/1	
10	15:1	5 7/16"	882	SMR10-15/1	-
	25:1			SMR10-25/1	

Output Shaft Overhung Load Ratings

Box Size	Shaft Size	Overhung Load (lbs.) At Various RPMs										
		10	20	30	50	80	100	120	140	160	180	200
2	1 7/16	2000	1510	1270	1010	840	820	720	720	710	710	700
	1 15/16	1750	1320	1110	890	730	710	630	630	620	620	610
3	1 15/16	5400	4250	3680	3050	2620	2440	2310	2210	2110	2040	1980
	2 3/16	5240	4120	3570	2960	2540	2370	2240	2140	2050	1980	1920
4	2 3/16	6520	5180	4510	3800	3230	3000	2830	2710	2600	2510	2430
	2 7/16	6360	5060	4410	3710	3160	2930	2770	2640	2530	2450	2370
5	2 7/16	7460	5860	5080	4280	3690	3450	3270	3110	2980	2880	2790
	2 15/16	7060	5540	4800	4040	3490	3260	3090	2940	2820	2720	2640
6	2 15/16	9100	7100	6100	5000	4100	4050	3700	3550	3400	3300	3200
	3 7/16	8200	6400	5500	4500	3700	3650	3400	3300	3250	3200	3150
7	3 7/16	11400	9500	7300	5950	4750	5050	4500	4300	4250	4200	4150



WORLDWIDE GEAR REDUCERS

Shaft Mount Reducers

The "Original" Shaft Mount Reducer
Mechanical Ratings



SHAFT MOUNT
REDUCERS

Reducer Model Number	Service Class I			Service Class II			Service Class III		
	Power (HP)	Output (RPM)	Output * Torque	Power (HP)	Output (RPM)	Output * Torque	Power (HP)	Output (RPM)	Output * Torque
SMR2-15/1	2	18-32	6700-3769	1.5	19-34	4761-2660	1.5	27-51	3350-1774
	3	27-51	6700-3547	2	25-47	4824-2566	2	37-71	3260-1699
	5	71-85	4247-3547	3	39-75	4639-2412	3	58-113	3119-1601
	7.5	75-140	6030-3230	5	70-136	4307-2217	5	104-140	2899-2154
	10	104-140	5798-4307	7.5	111-140	4074-3230	—	—	—
SMR2-25/1	0.5	4-6	7538-5025	0.33	4-6	5025-3350	0.25	4-6	3769-2513
	0.75	6-10	7538-4523	0.5	6-9	5025-3350	0.33	5-9	4020-2233
	1	8-15	7538-4020	0.75	9-16	5025-2827	0.5	8-15	3769-2010
	1.5	13-23	6958-3933	1	12-22	5025-2741	0.75	13-23	3479-1966
	2	18-32	6700-3769	1.5	19-34	4761-2660	1	18-32	3350-1884
	3	27-51	6700-3547	2	25-47	4824-2566	1.5	27-51	3350-1774
	5	47-70	6415-4307	3	39-75	4639-2412	2	37-71	3260-1699
SMR3-15/1	7.5	75-85	6030-5321	5	70-85	4307-3547	3	58-85	3119-2128
	5	27-46	11167-6555	2	15-24	8040-5025	2	22-36	5482-3350
	7.5	41-74	11031-6112	3	23-38	7865-4761	3	33-57	5482-3174
	10	57-103	10579-5855	5	38-69	7934-4370	5	57-103	5290-2927
	15	94-140	9623-6461	7.5	60-110	7538-4111	7.5	94-140	4811-3230
SMR3-25/1	—	—	—	10	85-140	7094-4307	—	—	—
	0.75	4-5	11307-9045	0.5	4-5	7538-6030	0.5	6-7	5025-4307
	1	6-7	10050-8615	0.75	6-8	7538-5653	0.75	8-12	5653-3769
	1.5	8-12	11307-7538	1	8-11	7538-5482	1	11-17	5482-3547
	2	11-17	10964-7094	1.5	12-18	7538-5025	1.5	16-26	5653-3479
	3	16-26	11307-6958	2	15-24	8040-5025	2	22-36	5482-3350
	5	27-46	11167-6555	3	23-38	7865-4761	3	33-57	5482-3174
	7.5	41-74	11031-6112	5	38-69	7934-4370	5	57-85	5290-3547
SMR4-15/1	10	57-85	10579-7094	7.5	60-85	7538-5321	—	—	—
	5	18-26	16750-11596	3	15-22	12060-8223	3	21-32	8615-5653
	7.5	27-40	16750-11307	5	25-37	12060-8149	5	37-56	8149-5384
	10	37-56	16298-10768	7.5	39-59	11596-7665	7.5	57-93	7934-4863
	15	57-93	15869-9726	10	53-84	11378-7179	10	79-141	7633-4277
SMR4-25/1	20	79-140	15266-8615	15	83-140	10898-6461	—	—	—
	25	102-140	14780-10768	—	—	—	—	—	—
	1	4-5	15075-12060	0.75	4-5	11307-9045	0.5	4-5	7538-6030
	1.5	5-7	18091-12922	1	5-7	12060-8515	0.75	5-7	9045-6461
	2	7-10	17229-12060	1.5	7-11	12922-8223	1	7-10	8615-6030
	3	11-15	16446-12060	2	10-14	12060-8615	1.5	11-15	8223-6030
	5	18-26	16750-11596	3	15-22	12060-8223	2	14-21	8615-5743
	7.5	27-40	16750-11307	5	25-37	12060-8149	3	21-32	8615-5653
SMR5-15/1	10	37-56	16298-10768	7.5	39-59	11596-7665	5	37-56	8149-5384
	15	57-85	15869-10641	10	53-84	11378-7179	7.5	57-85	7934-5321
	20	79-85	15266-14189	—	—	—	—	—	—
	10	21-36	28715-16750	7.5	22-38	20557-11902	5	21-36	14358-8375
	15	33-56	27410-16152	10	30-52	20101-11596	7.5	33-56	13705-8076
	20	46-78	26218-15462	15	48-82	118844-11031	10	46-78	13109-7731
SMR5-15/1	25	60-101	25126-14926	20	69-117	17479-10308	15	76-125	11902-7236
	30	76-125	23803-14472	25	95-125	15869-12060	20	115-125	10487-9648
	40	115-125	20975-19297	—	—	—	—	—	—
	—	—	—	—	—	—	—	—	—

* All output torque ratings are listed in inch pounds.



WORLDWIDE GEAR REDUCERS

Shaft Mount Reducers

The "Original" Shaft Mount Reducer
Mechanical Ratings



SHAFT MOUNT
REDUCERS

Reducer Model Number	Service Class I			Service Class II			Service Class III		
	Power (HP)	Output (RPM)	Output * Torque	Power (HP)	Output (RPM)	Output * Torque	Power (HP)	Output (RPM)	Output * Torque
SMR5-25/1	1.5	4	22613	1.5	5-6	18091-15075	0.75	4	11307
	2	4-6	30151-20101	2	6-9	20101-13400	1	4-6	15075-10050
	3	6-10	30151-18091	3	9-14	20101-12922	1.5	6-10	15075-9045
	5	10-17	30151-17736	5	15-24	20101-12563	2	8-13	15075-9277
	7.5	16-26	28266-17395	7.5	22-38	20557-11902	3	13-20	13916-9045
	10	21-36	28715-16750	10	30-52	20101-11596	5	21-36	14358-8375
	15	33-56	27410-16152	15	48-82	18844-11031	7.5	33-56	13705-8076
	20	46-78	26218-15462	20	69-80	17479-15075	10	46-78	13109-7731
SMR6-15/1	15	20-32	45226-28266	10	19-29	31738-20794	7.5	20-32	22613-14133
	20	27-45	44668-26801	15	28-47	32304-19245	10	27-45	22334-13400
	25	34-59	44339-25552	20	39-68	30924-17736	15	42-75	21536-12060
	30	42-75	43073-24121	25	50-94	30151-16038	20	58-114	20794-10579
	40	58-114	41587-21158	30	61-125	29657-14472	25	75-125	20101-12060
	50	75-125	40201-24121	40	89-120	27102-20101	30	99-125	18276-14472
SMR6-25/1	3	4-5	45226-36181	2	4-5	30151-24121	1.5	4-5	22613-18091
	5	7-9	43073-33501	3	6-8	30151-22613	2	5-7	24121-17229
	7.5	10-15	45226-30151	5	9-14	33501-21536	3	8-12	22613-15075
	10	13-20	46386-30151	7.5	14-21	32304-21536	5	13-20	23193-15075
	15	20-32	45226-28266	10	19-29	31738-20794	7.5	20-32	22613-14133
	20	27-45	44668-26801	15	28-47	32304-19245	10	27-45	22334-13400
	25	34-59	44339-25552	20	39-68	30924-17736	15	42-75	21536-12060
	30	42-75	43073-24121	25	50-80	30151-18844	20	58-70	20794-17229
	40	58-81	41587-29779	30	61-76	29657-23803	—	—	—
SMR7-15/1	20	19-26	63480-46392	20	27-38	44664-31740	10	19-26	31740-23196
	25	24-33	62820-45684	25	34-49	44340-30768	15	29-41	31188-22056
	30	29-41	62388-44124	30	42-60	43068-30156	20	39-57	30924-21156
	40	39-57	61848-42312	40	57-88	42312-27408	25	50-74	30156-20376
	50	50-74	60300-40740	—	—	—	30	61-98	29652-18456
	—	—	—	—	—	—	40	85-89	28380-27108
SMR7-25/1	5	5-6	60300-50256	3	4-5	45228-36180	3	6-7	30156-25848
	7.5	7-9	64608-50256	5	7-8	43068-37692	5	9-12	33504-25128
	10	9-12	67008-50256	7.5	10-13	45228-34788	7.5	14-19	32304-23808
	15	14-19	64608-47604	10	13-18	46392-33504	10	19-26	31740-23196
	20	19-26	63480-46392	15	20-27	45228-33504	15	29-41	31188-22056
	25	24-33	62820-45684	20	27-38	44664-31740	20	39-57	30924-21156
	30	29-41	62388-44124	25	34-49	44340-30768	25	50-74	30156-20376
	40	39-57	61848-42312	30	42-60	43068-30156	30	61-70	29652-25848
	50	50-74	60300-40740	40	57-75	42312-32160	—	—	—
SMR8-15/1	30	20-28	90456-64608	25	23-33	65544-45684	15	20-28	45228-32304
	40	26-38	92772-63480	30	28-41	64608-44124	20	26-38	46392-31740
	50	33-49	91368-61536	40	37-56	65196-43068	25	33-49	45684-30768
	60	40-60	90456-60300	50	47-72	64152-41880	30	40-60	45228-30156
	75	51-70	88680-64608	60	57-89	63480-40656	40	54-84	44664-28716
	—	—	—	75	74-75	61116-60300	50	70-110	43068-27408
	—	—	—	—	—	—	60	86-115	42072-31464

* All output torque ratings are listed in inch pounds.



WORLDWIDE GEAR REDUCERS

Shaft Mount Reducers

The "Original" Shaft Mount Reducer
Mechanical Ratings



SHAFT MOUNT REDUCERS

Reducer Model Number	Service Class I			Service Class II			Service Class III		
	Power (HP)	Output (RPM)	Output * Torque	Power (HP)	Output (RPM)	Output * Torque	Power (HP)	Output (RPM)	Output * Torque
SMR8-25/1	7.5	4-6	113064-75384	5	4-6	75384-50256	3	4-5	45228-36180
	10	6-8	100500-75384	7.5	6-9	75384-50256	5	6-8	50256-37692
	15	9-13	100500-69576	10	8-12	75384-50256	7.5	9-13	50256-34788
	20	13-18	92772-67008	15	13-19	69576-47604	10	13-18	46392-33504
	25	16-23	94224-65544	20	18-26	67008-46392	15	20-28	45228-32304
	30	20-28	90456-64608	25	23-33	65544-45684	20	26-38	46392-31740
	40	26-38	92772-63480	30	28-41	64608-44124	25	33-49	45684-30768
	50	33-49	91368-61536	40	37-56	65196-43068	30	40-60	45228-30156
	60	40-60	90456-60300	50	47-72	64152-41880	40	54-70	44664-34464
	75	51-70	88680-64608	60	57-75	63480-48240	50	70-75	43068-40200
—	—	—	75	74-75	61116-60300	—	—	—	
SMR9-15/1	40	19-25	126948-96480	30	20-27	90456-67008	20	19-25	63480-48240
	50	23-32	131088-94224	40	26-36	92772-67008	25	23-32	65544-47112
	60	28-39	129216-92772	50	33-46	91368-65544	30	28-39	64608-46392
	75	35-50	129216-90456	60	40-56	90456-64608	40	38-53	63480-45516
	—	—	—	75	50-73	90456-61956	50	47-69	64152-43692
	—	—	—	—	—	—	60	57-85	63480-42564
SMR9-25/1	10	5	120600	7.5	5	90456	5	5	60300
	15	7-8	129216-113064	10	6-7	100500-86148	7.5	7-8	64608-56532
	20	9-12	134004-100500	15	10-12	90456-75384	10	9-12	67008-50256
	25	11-15	137052-100500	20	13-17	92772-70944	15	14-19	64608-47604
	30	14-19	129216-95220	25	16-22	94224-68520	20	19-25	63480-48240
	40	19-25	126948-96480	30	20-27	90456-67008	25	23-32	65544-47112
	50	23-32	131088-94224	40	26-36	92772-67008	30	28-39	64608-46392
	60	28-39	129216-92772	50	33-46	91368-65544	40	38-53	63480-45516
	75	35-50	129216-90456	60	40-56	90456-64608	50	47-69	64152-43692
	—	—	—	75	50-73	90456-61956	60	57-75	63480-48240
SMR10-15/1	60	19-27	189075-133053	50	22-32	136077-93553	30	19-27	94538-66526
	75	24-34	187105-132074	60	27-39	133053-92113	40	26-37	92113-64728
	100	32-46	187105-130160	75	34-49	132074-91643	50	32-46	93553-65080
	125	41-59	182542-126851	100	46-67	130160-89364	60	39-56	92113-64150
	150	50-70	179621-128301	125	76-85	98477-88050	75	50-72	89811-62368
	—	—	—	—	—	—	100	59-120	10148-49895
SMR10-25/1	15	5-6	179621-149684	10	5	119748	7.5	5-6	89811-74842
	20	7-8	171068-149684	15	7-9	128301-99790	10	7-8	85534-74842
	25	8-10	187105-149684	20	9-12	133053-99790	15	10-13	89811-69085
	30	10-13	179621-138170	25	11-15	136077-99790	20	13-18	92113-65526
	40	13-18	184227-133053	30	13-19	138170-94538	25	16-22	93553-68038
	50	16-22	187105-136077	40	18-25	133053-95798	30	19-27	94538-66526
	60	19-27	189075-133053	50	22-32	136077-93553	40	26-37	92113-64728
	75	24-34	187105-132074	60	27-39	133053-92113	50	32-46	93553-65080
	100	32-46	187105-130160	75	34-49	132074-91643	60	39-56	92113-64150
	125	41-59	182542-126851	100	46-67	130160-89364	75	50-72	89811-62368
	150	50-70	179621-128301	125	59-75	126851-99790	—	—	—

All output torque ratings are listed in inch pounds.

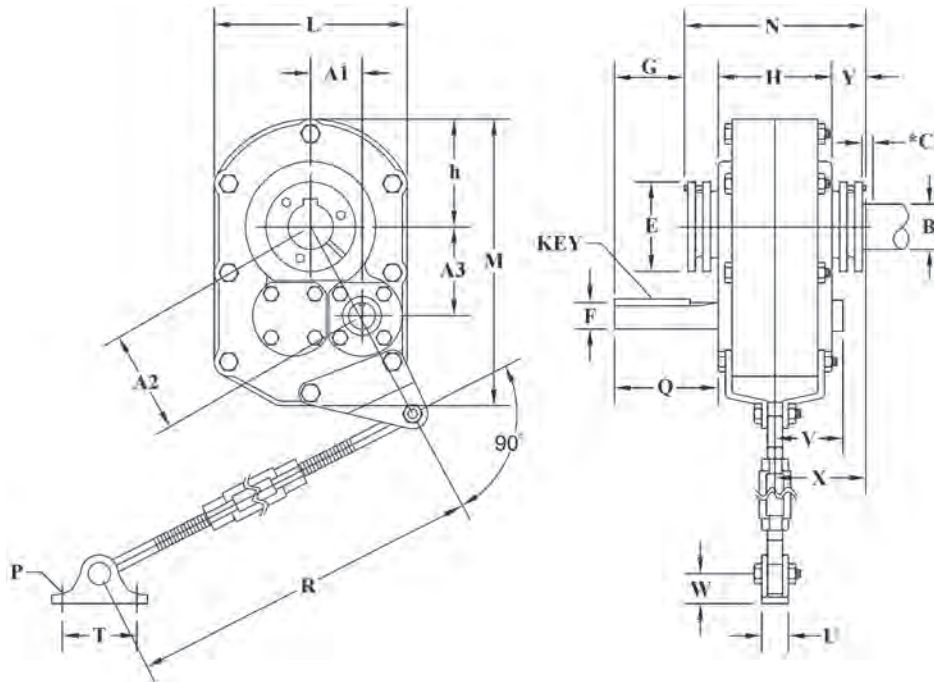


WORLDWIDE GEAR REDUCERS

Shaft Mount Reducers

The "Original" Shaft Mount Reducer

Dimensions



ALL DIMENSIONS IN INCHES

Box Size	L M	N	F Key	B Max.	C	E G	W U	X V	Q Y	H	A1 A2	A3 h	R Min. R Max.	P T
2	8.38	7.32	1.13	1 1/16	1.25	4.06	1.06	3.68	3.59	4.56	2.14	3.75	26.94	0.44
	11.41		0.25 x 0.13 x 2.50			2.22	1.25	2.89	1.4		4.32	4.09	32.94	3
3	9.25	9.22	1.25	2 3/16	1.5	4.38	1.06	4.52	4.34	5.63	2.33	4.17	26.94	0.44
	12.88		0.25 x 0.13 x 2.88			2.34	1.25	3.3	1.59		4.78	4.84	32.94	3
4	10.38	9.98	1.44	2 7/16	1.75	4.81	1.75	4.79	5.57	6.13	2.76	4.79	29.19	0.55
	15.13		0.38 x 0.19 x 4.06			3.44	1.44	3.41	1.72		5.53	5.5	35.19	4
5	13.13	10.52	1.94	2 15/16	1.81	5.63	1.75	5.05	5.74	6.31	3.04	5.67	29.19	0.5
	18.31		0.50 x 0.25 x 4.50			3.44	1.44	4.45	1.91		6.43	6.56	35.19	4
6	15.13	11.53	2.19	3 7/16	1.81	6.13	2	5.73	6.08	6.88	4.09	6.71	29.19	0.63
	21.31		0.50 x 0.25 x 4.50			3.73	2.75	4.57	2.3		7.88	7.56	35.19	4.75
7	18.75	12.85	2.44	3 15/16	2.06	7.25	2	6.38	6.35	7.75	5.11	8.3	29.44	0.63
	25.94		0.63 x 0.31 x 4.75			3.75	2.75	4.69	2.5		9.74	9.38	35.44	4.75
8	20.25	14.03	2.44	4 7/16	2.06	7.75	3.13	7.04	7.11	8.37	6.03	9.5	30	0.75
	28.25		0.63 x 0.31 x 5.38			4.31	4	5.85	2.86		11.25	10.13	36	7
9	22.63	14.12	2.44	4 15/16	2.44	8.75	3.13	7.04	9.65	8.12	6.59	10.81	30	0.75
	31.69		0.63 x 0.31 x 7.75			6.63	4	5.66	2.98		12.66	11.31	36	7
10	25.50	15.63	2.687	5 7/16	2.5	10.04	3.15	7.83	9.10	9.49	6.58	12.50	30	0.75
	35.00		0.63 x 0.31 x 7.88			6.53	4	6.91	3.07		14.13	12.75	36	7.09

Dimensions shown in this catalog are for general use only.
For an exact drawing on a specific rating, please contact our sales office.

SHAFT MOUNT
REDUCERS



WORLDWIDE GEAR REDUCERS

Shaft Mount Reducers

The "Ultimate" Shaft Mount Reducer
Product Overview



SHAFT MOUNT
REDUCERS



ALL-IN-1
"Ultimate"
Shaft Mount
Reducer System
Components
Can Be Found
On Page 16



Product Overview

- 9:1, 15:1 and 25:1 ratios
- Box sizes 2 - 9
- Tapered bushing type (bushing not included)
- Premium quality ball and tapered bearings - double lip seals
- Shafts and gears manufactured from high grade steel, case hardened and precision ground to A.G.M.A. standards
- Industrial grade all-cast iron housings protect gearing for life
- Extended gear centers and tooth contact
- Metal reinforced double lip, spring loaded oil seals
- Dimensional drop-in for all major makes
- Torque arm included
- Made in Taiwan (highest level of manufacturing expertise)
- 3 year warranty

Box Size	Ratio	Output Bore (Max.)	Approx. Wt. (lbs.)	Model Number	List Price
2	9:1	1 15/16"	68	WSMR2-9/1	-
	15:1			WSMR2-15/1	
	25:1			WSMR2-25/1	
3	9:1	2 3/16"	106	WSMR3-9/1	-
	15:1			WSMR3-15/1	
	25:1			WSMR3-25/1	
4	9:1	2 7/16"	156	WSMR4-9/1	-
	15:1			WSMR4-15/1	
	25:1			WSMR4-25/1	
5	9:1	2 15/16"	204	WSMR5-9/1	-
	15:1			WSMR5-15/1	
	25:1			WSMR5-25/1	
6	9:1	3 7/16"	314	WSMR6-9/1	-
	15:1			WSMR6-15/1	
	25:1			WSMR6-25/1	
7	15:1	3 15/16"	487	WSMR7-15/1	-
	25:1			WSMR7-25/1	
8	15:1	4 7/16"	655	WSMR8-15/1	-
	25:1			WSMR8-25/1	
9	15:1	4 15/16"	783	WSMR9-15/1	-
	25:1			WSMR9-25/1	

Output Shaft Overhung Load Ratings

Box Size	Shaft Size	Overhung Load (lbs.) At Various RPMs										
		10	20	30	50	80	100	120	140	160	180	200
2	1 1/16"	2000	1510	1270	1010	840	820	720	720	710	710	700
	1 15/16"	1750	1320	1110	890	730	710	630	630	620	620	610
3	1 15/16"	5400	4250	3680	3050	2620	2440	2310	2210	2110	2040	1980
	2 3/16"	5240	4120	3570	2960	2540	2370	2240	2140	2050	1980	1920
4	2 3/16"	6520	5180	4510	3800	3230	3000	2830	2710	2600	2510	2430
	2 7/16"	6360	5060	4410	3710	3160	2930	2770	2640	2530	2450	2370
5	2 7/16"	7460	5860	5080	4280	3690	3450	3270	3110	2980	2880	2790
	2 15/16"	7060	5540	4800	4040	3490	3260	3090	2940	2820	2720	2640
6	2 15/16"	9100	7100	6100	5000	4100	4050	3700	3550	3400	3300	3200
	3 1/16"	8200	6400	5500	4500	3700	3650	3400	3300	3250	3200	3150
7	3 3/16"	11400	9500	7300	5950	4750	5050	4500	4300	4250	4200	4150



WORLDWIDE GEAR REDUCERS

Shaft Mount Reducers

The "Ultimate" Shaft Mount Reducer
Mechanical Ratings



SHAFT MOUNT
REDUCERS

Reducer Model Number	Service Class I			Service Class II			Service Class III		
	Power (HP)	Output (RPM)	Output * Torque	Power (HP)	Output (RPM)	Output * Torque	Power (HP)	Output (RPM)	Output * Torque
WSMR2-9/1	7.5	78-105	5434-4037	5	78-110	3658-2594	3	58-110	2952-1556
	10	110-200	5188-2853	7.5	115-200	3722-2140	5	105-200	2717-1427
WSMR2-15/1	2	16-24	7065-4710	1.5	18-24	4710-3532	1.5	26-34	3261-2493
	3	26-45	6521-3768	2	24-34	4710-3324	2	38-58	2975-1949
	5	46-74	6143-3819	3	38-70	4462-2422	3	58-100	2923-1695
	7.5	78-105	5434-4037	5	70-105	4037-2691	5	105-140	2691-2018
	10	105-140	5382-4037	7.5	110-140	3853-3028	—	—	—
WSMR2-25/1	0.5	4-6	7065-4710	0.33	4-5	4663-3730	0.25	4-5	3532-2826
	0.75	6-8	7065-5298	0.5	6-8	4710-3532	0.33	6-8	3108-2331
	1	8-10	7065-5652	0.75	8-12	5298-3532	0.5	8-12	3532-2355
	1.5	12-16	7065-5298	1	12-16	4710-3532	0.75	12-16	3532-2649
	2	16-24	7065-4710	1.5	18-24	4710-3532	1	16-24	3532-2355
	3	26-45	6521-3768	2	24-34	4710-3324	1.5	26-34	3261-2493
	5	46-74	6143-3819	3	38-70	4462-2422	2	38-58	2975-1949
	7.5	78-85	5434-4987	5	70-85	4037-3324	3	58-85	2923-1995
WSMR3-9/1	10	78-105	7246-5382	7.5	85-110	5035-3722	5	74-105	3856-2817
	15	110-140	7707-6055	10	110-150	5188-3804	7.5	110-140	3891-3057
	20	150-200	7609-5707	15	160-200	5350-4280	10	150-200	3804-2853
WSMR3-15/1	3	28-30	6055-5652	2	16-24	7065-4710	2	24-38	4710-2975
	5	32-50	8831-5652	3	26-46	6521-3686	3	40-70	4239-2422
	7.5	52-74	8151-5728	5	50-74	5652-3819	5	74-105	3819-2691
	10	78-105	7246-5382	7.5	78-105	5434-4037	7.5	110-140	3853-3028
	15	110-140	7707-6055	10	100-140	5652-4037	—	—	—
WSMR3-25/1	0.75	4-5	10597-8477	0.5	4-5	7065-5652	0.5	6-7	4710-4037
	1	6-7	9419-8074	0.75	6-7	7065-6055	0.75	8-10	5298-4239
	1.5	8-10	10597-8477	1	8-10	7065-5652	1	10-16	5652-3532
	2	12-16	9419-7065	1.5	12-16	7065-5298	1.5	18-24	4710-3532
	3	18-30	9419-5652	2	16-24	7065-4710	2	24-38	4710-2975
	5	32-50	8831-5652	3	26-46	6521-3686	3	40-70	4239-2422
	7.5	52-74	8151-5728	5	50-74	5652-3819	5	74-85	3819-3324
	10	78-85	7246-6649	7.5	78-85	5434-4987	—	—	—
WSMR4-9/1	15	58-80	14616-10597	15	90-115	9511-7443	7.5	58-78	7379-5487
	20	80-110	14219-10276	20	120-140	9511-8152	10	80-115	7133-4962
	25	100-140	14129-10092	25	150-200	9511-7133	15	120-200	7133-4280
	30	120-200	14267-8560	—	—	—	—	—	—
WSMR4-15/1	5	18-24	15699-11774	3	14-22	12111-7707	3	20-34	8477-4987
	7.5	26-34	16303-12467	5	24-34	11774-8311	5	38-54	7436-5233
	10	38-54	14873-10466	7.5	38-54	11154-7849	7.5	58-80	7308-5298
	15	58-80	14616-10597	10	54-80	10466-7065	10	80-140	765-4037
	20	80-110	14219-10276	15	85-115	9973-7372	—	—	—
	25	100-140	14129-10092	20	110-140	10276-8074	—	—	—
WSMR4-25/1	1	4-5	14129-11303	0.75	4-5	10597-8477	0.5	4-5	7065-5652
	1.5	5-7	16955-12111	1	5-6	11303-9419	0.75	5-6	8477-7065
	2	6-8	18839-14129	1.5	6-8	14129-10597	1	6-8	9419-7065
	3	10-14	16955-12111	2	10-12	11303-9419	1.5	10-12	8477-7065
	5	16-24	17551-11774	3	14-22	12111-7707	2	14-18	8074-6280
	7.5	26-34	16303-12467	5	24-34	11774-8311	3	20-34	8477-4987
	10	38-54	14873-10466	7.5	38-54	11154-7849	5	38-54	7436-5233
	15	58-80	14616-10597	10	54-85	10466-6649	7.5	58-85	7308-4987
20	80-85	14129-13298	—	—	—	—	—	—	

All output torque ratings are listed in inch pounds

*



WORLDWIDE GEAR REDUCERS

Shaft Mount Reducers

The "Ultimate" Shaft Mount Reducer
Mechanical Ratings



SHAFT MOUNT
REDUCERS

Reducer Model Number	Service Class I			Service Class II			Service Class III		
	Power (HP)	Output (RPM)	Output * Torque	Power (HP)	Output (RPM)	Output * Torque	Power (HP)	Output (RPM)	Output * Torque
WSMR5-9/1	25	70-95	20184-14873	20	85-115	13427-9925	15	85-115	10071-7443
	30	85-115	19947-14743	25	105-125	13587-11413	20	115-200	7443-4280
	40	110-200	20752-11413	30	125-200	13696-8560	—	—	—
WSMR5-15/1	7.5	22-24	19267-17661	7.5	24-34	17661-12467	5	24-34	11774-8311
	10	24-34	23548-16622	10	38-54	14873-10466	7.5	38-52	11154-8151
	15	38-54	22309-15699	15	58-80	14616-10597	10	54-80	10466-7065
	20	54-78	20932-14491	20	78-110	11491-10276	15	85-110	9973-7707
	25	70-95	20184-14873	25	100-125	14129-11303	20	110-125	10276-9043
	30	85-115	19947-14743	—	—	—	—	—	—
	40	110-125	20551-18085	—	—	—	—	—	—
WSMR5-25/1	2	4-5	28258-22606	1.5	4-5	21194-16955	1	4-5	14129-11303
	3	6-8	28258-21194	2	5-6	22606-18839	1.5	6-7	14129-12111
	5	10-14	28258-20184	3	8-14	21194-12111	2	8-12	14129-9419
	7.5	16-24	26492-17661	5	16-24	17661-11774	3	14-22	12111-7707
	10	24-34	23548-16622	7.5	24-34	17661-12467	5	24-34	11774-8311
	15	38-54	22309-15699	10	38-54	14873-10466	7.5	38-52	11154-8151
	20	54-78	20932-14491	15	58-80	14616-10597	10	54-78	10466-7246
	25	70-80	20184-17661	20	78-80	14491-14129	—	—	—
WSMR6-9/1	40	62-85	36817-26855	25	58-80	24598-17833	20	62-78	18409-14632
	50	78-200	36581-14267	30	70-90	24457-19022	25	78-95	18291-15018
	—	—	—	40	95-120	24028-19022	30	95-200	18021-8560
	—	—	—	50	120-200	23778-14267	—	—	—
WSMR6-15/1	15	20-26	42387-32605	10	18-26	31398-21737	7.5	20-24	21194-17661
	20	26-38	43474-29745	15	28-40	30276-21194	10	26-40	21737-14129
	25	34-50	41556-28258	20	40-58	28258-19488	15	45-58	18839-14616
	30	45-62	37677-27346	25	52-78	27171-18114	20	62-74	18231-15275
	40	62-85	36462-26596	30	66-90	25689-18839	25	78-95	18114-14873
	50	78-105	36228-26912	40	90-120	25118-18839	30	95-125	17847-13564
	60	95-125	35694-27128	—	—	—	—	—	—
WSMR6-25/1	3	4-5	42387-33910	2	4-5	28258-22606	1.5	4-5	21194-16955
	5	6-8	47097-35323	3	6-8	28258-21194	2	6-7	18839-16147
	7.5	10-12	42387-35323	5	10-12	28258-23548	3	8-12	21194-14129
	10	14-18	40369-31398	7.5	14-18	30276-23548	5	14-18	20184-15699
	15	20-26	42387-32605	10	18-26	31398-21737	7.5	20-24	21194-17661
	20	26-38	43474-29745	15	28-40	30276-21194	10	26-40	21737-14129
	25	34-50	41556-28258	20	40-58	28258-19488	15	45-58	18839-14616
	30	45-62	37677-27346	25	52-78	27171-18114	20	62-70	18231-16147
	40	62-80	36462-28258	30	66-78	25689-21737	—	—	—

* All output torque ratings are listed in inch pounds.



WORLDWIDE GEAR REDUCERS

Shaft Mount Reducers

The "Ultimate" Shaft Mount Reducer
Mechanical Ratings



SHAFT MOUNT
REDUCERS

Reducer Model Number	Service Class I			Service Class II			Service Class III		
	Power (HP)	Output (RPM)	Output * Torque	Power (HP)	Output (RPM)	Output * Torque	Power (HP)	Output (RPM)	Output * Torque
WSMR7-15/1	20	18-22	62796-51378	20	26-34	43474-33245	10	16-24	35323-23548
	25	22-30	64223-47097	25	32-46	44153-30715	15	26-34	32605-24934
	30	26-38	65211-44618	30	40-58	42387-29232	20	38-46	29745-24572
	40	38-54	59491-41864	40	58-80	38977-28258	25	50-62	28258-22789
	50	50-74	56516-38187	—	—	—	30	62-80	27346-21194
	—	—	—	—	—	—	40	85-90	26596-25118
WSMR7-25/1	5	4-5	70645-56516	3	4-5	42387-33910	3	5-7	33910-24221
	7.5	6-7	70645-60553	5	6-7	47097-40369	5	8-10	35323-28258
	10	8-10	70645-56516	7.5	8-10	52984-42387	7.5	12-14	35323-30276
	15	12-16	70645-52984	10	12-16	47097-35323	10	16-24	35323-23548
	20	16-22	70645-51378	15	18-26	47097-32605	15	26-34	32605-24934
	25	22-30	64223-47097	20	24-34	47097-33245	20	38-46	29745-24572
	30	26-38	65211-44618	25	32-46	44153-30715	25	50-62	28258-22789
	40	38-54	56491-41864	30	40-58	42387-29232	30	62-70	27346-24221
50	50-74	56516-38187	40	58-74	38977-30549	—	—	—	
WSMR8-15/1	40	20-30	113032-75355	25	20-26	70645-54342	15	18-20	47097-42387
	50	28-40	100922-70645	30	22-32	77067-52984	20	20-26	56516-43474
	60	34-46	99734-73717	40	32-46	70645-49144	25	28-34	50461-41556
	75	45-70	94193-60553	50	40-58	70645-48721	30	34-46	49867-36858
	—	—	—	60	50-74	67819-45824	40	50-58	45213-38977
	—	—	—	75	66-74	64223-57280	50	62-78	45577-36228
	—	—	—	—	—	—	60	78-115	43474-29487
WSMR8-25/1	7.5	4-5	105968-84774	5	4-5	70645-56516	3	4-5	42387-33910
	10	6-7	94193-80737	7.5	6-7	70645-60553	5	5-7	56516-40369
	15	8-9	105968-94193	10	8-9	70645-62796	7.5	7-9	60553-47097
	20	10-12	113032-94193	15	10-14	84774-60553	10	10-14	56516-40369
	25	12-16	117742-99306	20	14-20	80737-56516	15	16-20	52984-42387
	30	16-20	105968-84774	25	18-26	78495-54342	20	20-26	56516-43474
	40	20-30	113032-75355	30	22-32	77067-52984	25	28-34	50461-41556
	50	28-40	100922-70645	40	32-46	70645-49144	30	34-46	49867-36858
	60	34-46	99734-73717	50	40-58	70645-48721	40	50-58	45213-38977
	75	45-70	94193-60553	60	50-74	67819-45824	50	62-74	45577-38187
—	—	—	75	66-74	64223-57280	—	—	—	
WSMR9-15/1	50	18-26	15689-108685	30	20-22	84774-77067	25	18-22	78495-64223
	60	22-32	154135-105968	40	22-30	102757-75355	30	22-30	77067-56516
	75	30-50	141290-84774	50	28-40	100922-70645	40	32-40	70645-56516
	—	—	—	60	34-50	99734-67819	50	45-52	62796-54342
	—	—	—	75	45-74	94193-57280	60	52-80	65211-42387
WSMR9-25/1	15	5-6	169548-141290	7.5	4-5	105968-84774	5	4-5	70645-56516
	20	6-8	188387-141290	10	4-6	141290-94193	7.5	5-6	84774-70645
	25	8-10	176613-141290	15	8-9	105968-94193	10	6-8	94193-70645
	30	10-14	169548-121106	20	10-12	113032-94193	15	10-12	84774-70645
	40	14-20	161475-113032	25	12-16	117742-88306	20	14-16	80737-70645
	50	18-26	156989-108685	30	16-22	105968-77067	25	18-22	78495-64223
	60	22-32	154135-105968	40	22-30	102757-75355	30	22-30	77067-56516
	75	30-50	141290-84774	50	28-40	100922-70645	40	32-40	70645-56516
	—	—	—	60	34-50	99734-67819	50	45-52	62796-54342
	—	—	—	75	45-74	94193-57280	60	52-74	65211-45824

* All output torque ratings are listed in inch pounds.

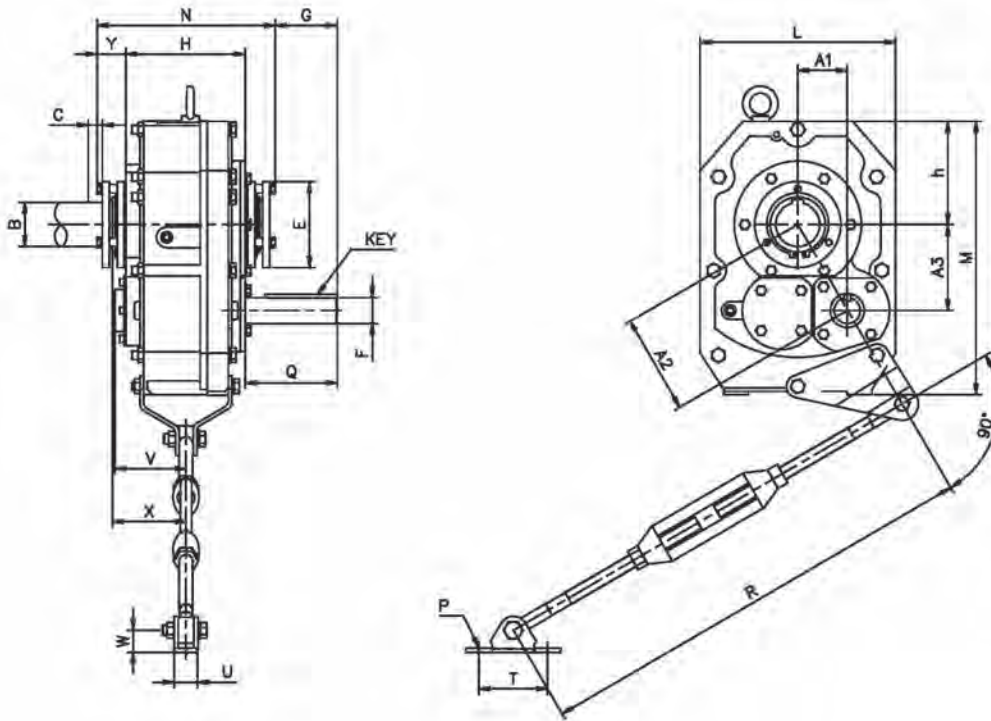
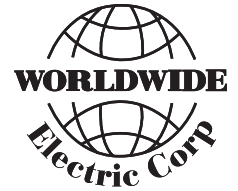


WORLDWIDE GEAR REDUCERS

Shaft Mount Reducers

The "Ultimate" Shaft Mount Reducer

Dimensions



ALL DIMENSIONS IN INCHES

Box Size	L M	N	F Key	B Max.	C	E G	W U	X V	Q Y	H	A1 A2	A3 h	R Min. R Max.	P T
2	8.38	7.32	1.13	1 1/16	1.25	4.06	1.06	3.68	3.59	4.56	2.14	3.75	26.94	0.44
	11.41		0.25 x 0.13 x 2.50			2.22	1.25	2.89	1.4		4.32	4.09	32.94	3
3	9.25	9.22	1.25	2 3/16	1.5	4.38	1.06	4.52	4.34	5.63	2.33	4.17	26.94	0.44
	12.88		0.25 x 0.13 x 2.88			2.34	1.25	3.3	1.59		4.78	4.84	32.94	3
4	10.38	9.98	1.44	2 7/16	1.75	4.81	1.75	4.79	5.57	6.13	2.76	4.79	29.19	0.55
	15.13		0.38 x 0.19 x 4.06			3.44	1.44	3.41	1.72		5.53	5.5	35.19	4
5	13.13	10.52	1.94	2 15/16	1.81	5.63	1.75	5.05	5.74	6.31	3.04	5.67	29.19	0.5
	18.31		0.50 x 0.25 x 4.50			3.44	1.44	4.45	1.91		6.43	6.56	35.19	4
6	15.13	11.53	2.19	3 7/16	1.81	6.13	2	5.73	6.08	6.88	4.09	6.71	29.19	0.63
	21.31		0.50 x 0.25 x 4.50			3.73	2.75	4.57	2.3		7.88	7.56	35.19	4.75
7	18.75	12.85	2.44	3 15/16	2.06	7.25	2	6.38	6.35	7.75	5.11	8.3	29.44	0.63
	25.94		0.63 x 0.31 x 4.75			3.75	2.75	4.69	2.5		9.74	9.38	35.44	4.75
8	20.25	14.03	2.44	4 7/16	2.06	7.75	3.13	7.04	7.11	8.37	6.03	9.5	30	0.75
	28.25		0.63 x 0.31 x 5.38			4.31	4	5.85	2.86		11.25	10.13	36	7
9	22.63	14.12	2.44	4 15/16	2.44	8.75	3.13	7.04	9.65	8.12	6.59	10.81	30	0.75
	31.69		0.63 x 0.31 x 7.75			6.63	4	5.66	2.98		12.66	11.31	36	7

Dimensions shown in this catalog are for general use only.
For an exact drawing on a specific rating, please contact our sales office.



WORLDWIDE GEAR REDUCERS

Shaft Mount Reducers

Competitive Interchange

Ratios 9:1, 15:1 and 25:1



SHAFT MOUNT REDUCERS

9:1 Ratio

WorldWide Electric	Dodge	Hub City	Browning	Cleveland Gear
WSMR2-9/1	TXT2-9:1	PT2115S09	115SMTP09	---
WSMR3-9/1	TXT3-9:1	PT3203S09	203SMTP09	---
WSMR4-9/1	TXT4-9:1	PT4207S09	207SMTP09	---
WSMR5-9/1	TXT5-9:1	PT5215S09	215SMTP09	---
WSMR6-9/1	TXT6-9:1	PT6307S09	307SMTP09	---

15:1 Ratio

WorldWide Electric	Dodge	Hub City	Browning	Cleveland Gear
WSMR2-15/1 SMR2-15/1	TXT2-15:1	PT2115S15	115SMTP15	CGUSM2 15
WSMR3-15/1 SMR3-15/1	TXT3-15:1	PT3203S15	203SMTP15	CGUSM3 15
WSMR4-15/1 SMR4-15/1	TXT4-15:1	PT4207S15	207SMTP15	CGUSM4 15
WSMR5-15/1 SMR5-15/1	TXT5-15:1	PT5215S15	215SMTP15	CGUSM5 15
WSMR6-15/1 SMR6-15/1	TXT6-15:1	PT6307S15	307SMTP15	CGUSM6 15
WSMR7-15/1 SMR7-15/1	TXT7-15:1	PT7315S15	315SMTP15	CGUSM7 15
WSMR8-15/1 SMR8-15/1	TXT8-15:1	PT8407S15	407SMTP15	CGUSM8 15
WSMR9-15/1 SMR9-15/1	TXT9-15:1	PT9415S15	415SMTP15	CGUSM9 15
SMR10-15/1	TXT10-15:1	PT10507S15	507SMT15	---

25:1 Ratio

WorldWide Electric	Dodge	Hub City	Browning	Cleveland Gear
WSMR2-25/1 SMR2-25/1	TXT2-25:1	PT2115S25	115SMTP25	CGUSM2 25
WSMR3-25/1 SMR3-25/1	TXT3-25:1	PT3203S25	203SMTP25	CGUSM3 25
WSMR4-25/1 SMR4-25/1	TXT4-25:1	PT4207S25	207SMTP25	CGUSM4 25
WSMR5-25/1 SMR5-25/1	TXT5-25:1	PT5215S25	215SMTP25	CGUSM5 25
WSMR6-25/1 SMR6-25/1	TXT6-25:1	PT6307S25	307SMTP25	CGUSM6 25
WSMR7-25/1 SMR7-25/1	TXT7-25:1	PT7315S25	315SMTP25	CGUSM7 25
WSMR8-25/1 SMR8-25/1	TXT8-25:1	PT8407S25	407SMTP25	CGUSM8 25
WSMR9-25/1 SMR9-25/1	TXT9-25:1	PT9415S25	415SMTP25	CGUSM9 25
SMR10-25/1	TXT10-25:1	PT10507S25	507SMTP25	---



WORLDWIDE GEAR REDUCERS

Shaft Mount Reducers

Accessories / Parts



SHAFT MOUNT REDUCERS

Backstop Assemblies *

- Easy mount for WorldWide shaft mount reducers
- Smooth forward operation of conveyor with no backslip

Box Size	Model Number (1)	Model Number (2)	List Price
2	SMR2BSK	WSMR2BSK	-
3	SMR3BSK	WSMR3BSK	-
4	SMR4BSK	WSMR4BSK	-
5	SMR5BSK	WSMR5BSK	-
6	SMR6/7BSK	WSMR6BSK	-
7	SMR6/7BSK	WSMR7BSK	-
8	SMR8/9BSK	WSMR8BSK	-
9	SMR8/9BSK	WSMR9BSK	-
10	SMR10BSK		-

Belt Guards

- Hinge design for easy access to belts and sheaves
- Slotted metal panel construction
- Assembles to reducer and motor mount holes
- Easy mount for WorldWide shaft mount reducers

Box Size	Model Number	List Price
2	BG2	-
3	BG3	-
4	BG4	-
5	BG5	-
6	BG6	-
7	BG7	-
8	BG8	-
9	BG9	-
10	BG10	-

Motor Mounts

- Heavy gauge steel construction for NEMA frame motors
- Adjustable top plate for belt tensioning

Box Size	NEMA Frame	Model Number	List Price
2	56-215T	MM2	-
3	56-215T	MM3A	-
4	143T-286T	MM4	-
5	143T-286T	MM5A	-
6	143T-326T	MM6A	-
7	143T-365T	MM7	-
8	213T-365T	MM8	-
9	284T-365T	MM9	-
10	254T-365T	MM10	-

* Suitable for use in WWE shaft mount reducers only.

(1) Use SMR#BSK model number backstop assemblies for WWE "Original" series shaft mount reducers.

(2) Use WSMR#BSK model number backstop assemblies for WWE "Ultimate" series shaft mount reducers.



V-Belt Drive Center Distances For SMR /WSMR MM Series Motor Mounts

Motor Mount	SMR Size	Center Distances For Various NEMA Motor Frames															
		56C		143/5T		182/4T		213/5T		254/6T		284/6T		324/6T		364/5T	
		Min	Max	Min	Max	Min	Max	Min	Max	Min	Max	Min	Max	Min	Max	Min	Max
MM2	SMR2 WSMR2	18.7	22.1	18.7	22.1	19.7	23.1	20.5	23.9								
MM3A	SMR3 WSMR3	20.2	23.6	20.2	23.6	21.2	24.6	22.0	25.3	23.0	26.3						
MM4	SMR4 WSMR4			21.2	25.2	22.2	26.2	23.0	26.9	23.9	27.9	24.7	28.7				
MM5A	SMR5 WSMR5			22.7	26.6	23.7	27.6	24.4	28.4	25.4	29.4	26.2	30.1	27.2	31.1		
MM6A	SMR6 WSMR6			25.9	29.7	26.9	30.7	27.6	31.4	28.6	32.4	29.4	33.2	30.4	34.2		
MM7	SMR7 WSMR7			30.6	34.4	31.6	35.4	32.4	36.2	33.4	37.2	34.1	37.9	35.1	38.9	36.1	40.0
MM8	SMR8 WSMR8							35.5	40.5	36.4	41.2	37.2	42.2	38.2	43.2		
MM9	SMR9 WSMR9							38.0	43.0	39.0	44.0	39.8	44.7	40.7	45.7	41.7	46.7
MM10	SMR10									42.6	47.5	43.3	48.2	44.3	49.2	45.3	50.2



WORLDWIDE GEAR REDUCERS

Shaft Mount Reducers

Accessories / Parts



Tapered Bushing Kits

- Sized for WorldWide shaft mount reducers
- Interchangeable with other manufacturers
- Fast and simple installation
- Tapered support on both sides of the reducer
- Include fastening bolts and a full length shaft key



Box Size	Bushing Size (in.)	Model Number	List Price	
2	1 1/4	2WTBK-1.14	-	
	1 5/16	2WTBK-1.516		
	1 3/8	2WTBK-1.38		
	1 7/16	2WTBK-1.716		
	1 1/2	2WTBK-1.12		
	1 9/16	2WTBK-1.58		
	1 11/16	2WTBK-1.1116		
	1 3/4	2WTBK-1.34		
3	1 15/16	2WTBK-1.1516	-	
	1 11/16	3WTBK-1.1116		
	1 3/4	3WTBK-1.34		
	1 7/8	3WTBK-1.78		
	1 15/16	3WTBK-1.1516		
	2	3WTBK-2		
	2 3/16	3WTBK-2.316		
	4	1 15/16		4WTBK-1.1516
2		4WTBK-2		
2 1/8		4WTBK-2.18		
2 3/16		4WTBK-2.316		
2 1/4		4WTBK-2.14		
2 7/16		4WTBK-2.716		
2 3/16		5WTBK-2.316		
2 1/4		5WTBK-2.14		
5	2 7/16	5WTBK-2.716	-	
	2 1/2	5WTBK-2.12		
	2 11/16	5WTBK-2.1116		
	2 15/16	5WTBK-2.1516		
	2 1/2	6WTBK-2.12		-
	2 11/16	6WTBK-2.1116		
	2 7/8	6WTBK-2.78		
	2 15/16	6WTBK-2.1516		
6	3	6WTBK-3	-	
	3 7/16	6WTBK-3.716		
	2 7/16	7WTBK-2.716		-
	2 11/16	7WTBK-2.1116		
2 15/16	7WTBK-2.1516			
7	3	7WTBK-3	-	
	3 3/16	7WTBK-3.316		
	3 7/16	7WTBK-3.716		
	3 15/16	7WTBK-3.1516		
	2 15/16	8WTBK-2.1516		-
	3 7/16	8WTBK-3.716		
	3 15/16	8WTBK-3.1516		
	4 3/16	8WTBK-4.316		
8	4 7/16	8WTBK-4.716	-	
	3 7/16	9WTBK-3.716		-
	3 15/16	9WTBK-3.1516		
	4 7/16	9WTBK-4.716		
9	4 15/16	9WTBK-4.1516	-	
	3 15/16	10WTBK-3.1516		-
	4 7/16	10WTBK-4.716		
	4 15/16	10WTBK-4.1516		
10	5 7/16	10WTBK-5.716	-	

Torque Arms

- Included with EVERY shaft mount reducer
- Heavy gauge steel construction
- Machine precision ground interlocking parts for easy and accurate tensioning and tightening



Box Size	Model Number	Alternate Model Number	List Price
2	SMR2-TA	WSMR2-TA	-
3	SMR3-TA	WSMR3-TA	-
4	SMR4-TA	WSMR4-TA	-
5	SMR5-TA	WSMR5-TA	-
6	SMR6-TA	WSMR6-TA	-
7	SMR7-TA	WSMR7-TA	-
8	SMR8-TA	WSMR8-TA	-
9	SMR9-TA	---	--
10	SMR10-TA	---	-

Rebuild Kits For The "Original" SMR

Kits Include (Sold As Kit Only):

- High speed input shaft
- First gear reduction
- Input bearings
- Input seal
- Output seals



Box Size	Ratio	Model Number	List Price
3	15:1	SMR315RBKIT	-
	25:1	SMR325RBKIT	
4	15:1	SMR415RBKIT	-
	25:1	SMR425RBKIT	
5	15:1	SMR515RBKIT	-
	25:1	SMR525RBKIT	
6	15:1	SMR615RBKIT	-
	25:1	SMR625RBKIT	
7	15:1	SMR715RBKIT	-
	25:1	SMR725RBKIT	
8	15:1	SMR815RBKIT	-
	25:1	SMR825RBKIT	
9	15:1	SMR915RBKIT	-
	25:1	SMR925RBKIT	
10	15:1	SMR1015RBKIT	-
	25:1	SMR1025RBKIT	

SHAFT MOUNT REDUCERS



WORLDWIDE GEAR REDUCERS

Shaft Mount Reducers

ALL-IN-1 "Ultimate" Shaft Mount Reducer System Components
Everything You Need For The Screw Conveyor Application



SHAFT MOUNT REDUCERS



ALL-IN-1
"Ultimate"
Shaft Mount
Reducer
Can Be Found
On Page 4



Product Overview

- 15:1 and 25:1 ratios
- Box sizes 2 - 6
- Heavy duty FCD45 cast iron housing for corrosion resistance
- CEMA adapter flange bolt-on design allows for easy mounting
- Drive shaft machined from high strength alloy steel
- Hardened gears for long-life, A.G.M.A. rated class 11
- Double lip seal and braided felt seal installed
- Flat bottom with four (4) tapped holes for additional mounting flexibility
- Components for use only with The "Ultimate" Shaft Mount Reducer found on Page 8

Screw Conveyor Flanges

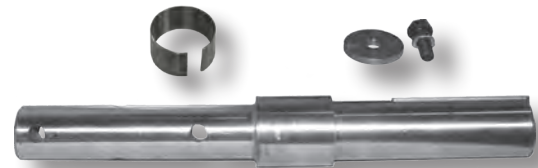
- Conforms to CEMA standards
- Bolt-on design allows for easy mounting
- Heavy duty FCD45 cast iron construction
- Double lip seal and braided felt seal installed



Box Size	Model Number	List Price
2	2SCF	-
3	3SCF	-
4	4SCF	-
5	5SCF	-
6	6SCF	-

Screw Conveyor Shafts

- Machined from high tensile strength alloy steel
- Conforms to CEMA standards
- Three-hole design for easy installation onto screw



Box Size	Model Number	List Price
2	2SCDS-1.12	-
	2SCDS-2	-
	2SCDS-2.716	-
	2SCDS-3	-
3	3SCDS-1.12	-
	3SCDS-2	-
	3SCDS-2.716	-
	3SCDS-3	-
4	4SCDS-1.12	-
	4SCDS-2	-
	4SCDS-2.716	-
	4SCDS-3	-
	4SCDS-3.716	-
5	5SCDS-2	-
	5SCDS-2.716	-
	5SCDS-3	-
	5SCDS-3.716	-
6	6SCDS-2.716	-
	6SCDS-3	-
	6SCDS-3.716	-



WORLDWIDE GEAR REDUCERS

Worm Gear Reducers

Heavy Duty Cast Iron Worm Gear Reducers Product Overview



Flange Input - Shaft Output
Left Hand Output



Flange Input - Shaft Output
Right Hand Output



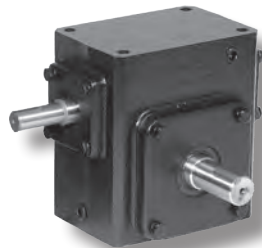
Flange Input - Shaft Output
Double End Output



Flange Input
Hollow Bore Output



Shaft Input - Shaft Output
Left Hand Output

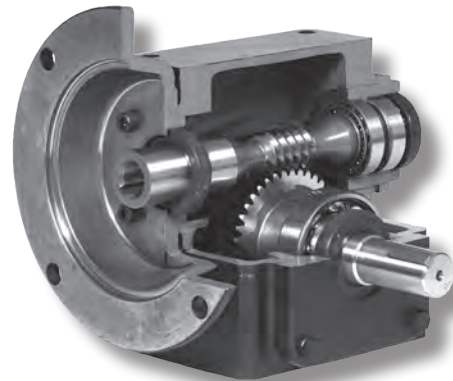


Shaft Input - Shaft Output
Right Hand Output

Product Overview

- 5:1 - 60:1 ratios
- Box sizes 1.33 - 3.25
- One piece # Fc20 all cast iron housing
- Embedded double-lip oil seals
- Double bearings used on both shaft ends
- Anti-rust primer applied inside and outside gearbox
- S45C carbon steel shafts
- Albc3 aluminum - bronze gear
- Interior oil channel guide directly and constantly lube bearings
- Tapered roller bearing on output and input shafts
- All angle - radiused mounting holes
- Air dry special black paint
- Shaft sleeve protects all shafts
- Compact design - compact space capability
- Units filled with Mobil #SHC634 synthetic oil
- Universally interchangeable
- 1 year warranty

WORM GEAR REDUCERS
HEAVY DUTY CAST IRON



How To Order

WHEN ORDERING A WORM GEAR REDUCER PLEASE USE THE FOLLOWING NOMENCLATURE

Style	Box Size	Ratio	Output	Motor Frame *
S - Shaft Input	133	5:1	L - Left Hand	56C
F - Flange Input	154	10:1	R - Right Hand	145TC
	175	15:1	DE - Double End	182/4TC
	206	20:1	H - Hollow Bore	
	237	30:1		
	262	40:1		
	325	50:1		
		60:1		*Leave Blank for Shaft Input
HdR _____	_____	/	_____	_____



WORLDWIDE GEAR REDUCERS

Worm Gear Reducers

Heavy Duty Cast Iron Worm Gear Reducers Mechanical Ratings



WORM GEAR REDUCERS
HEAVY DUTY CAST IRON

Input Speed		1750 RPM									
Box Size	Ratio	Mechanical (1.0 SF)			Thermal			Efficiency (%)	O.H.L. (lbs.)	Output Shaft Thrust Load (lbs.)	Backlash (ft.) (Angular Minutes)
		Input HP	Output Torque (lbs. in.)	Output HP	Input HP	Output Torque (lbs. in.)	Output HP				
133	5:1	1.15	209	1.05	1.21	221	1.11	91	300	300	27
	10:1	0.77	247	0.66	0.75	240	0.64				
	15:1	0.63	283	0.5	0.53	238	0.42				
	20:1	0.5	276	0.39	0.48	266	0.38				
	30:1	0.47	336	0.31	0.31	221	0.20				
	40:1	0.38	356	0.25	0.30	282	0.19				
	50:1	0.29	312	0.17	0.26	282	0.15				
60:1	0.23	261	0.12	0.22	252	0.12					
154	5:1	2.06	345	1.90	2.04	341	1.88	92	450	400	23
	10:1	1.29	411	1.13	1.03	327	0.9				
	15:1	1.11	518	0.95	0.78	363	0.67				
	20:1	0.86	509	0.70	0.65	384	0.53				
	30:1	0.62	504	0.46	0.48	388	0.36				
	40:1	0.51	503	0.35	0.4	397	0.27				
	50:1	0.47	565	0.31	0.34	407	0.22				
60:1	0.39	502	0.23	0.29	373	0.17					
175	5:1	2.83	499	2.62	2.28	402	2.11	93	650	550	20
	10:1	1.57	515	1.38	1.36	445	1.19				
	15:1	1.24	554	1.06	1.13	506	0.96				
	20:1	1.02	596	0.85	0.98	572	0.81				
	30:1	0.78	666	0.56	0.69	533	0.50				
	40:1	0.74	714	0.49	0.59	558	0.39				
	50:1	0.5	575	0.32	0.52	590	0.33				
60:1	0.38	469	0.2	0.47	580	0.27					
206	5:1	3.62	685	3.33	2.57	486	2.36	92	700	750	17
	10:1	2.77	935	2.5	2.10	708	1.89				
	15:1	2.09	1002	1.78	1.40	673	1.20				
	20:1	1.57	914	1.29	1.17	681	0.96				
	30:1	1.65	1310	1.21	0.76	606	0.56				
	40:1	1.09	1120	0.77	0.71	726	0.50				
	50:1	0.74	830	0.46	0.54	606	0.33				
60:1	0.6	750	0.35	0.48	606	0.28					
237	5:1	4.57	798	4.02	3.56	630	3.31	93	900	900	17
	10:1	3.47	1158	3.09	2.24	746	1.99				
	15:1	2.64	1249	2.22	1.55	732	1.30				
	20:1	2.06	1195	1.69	1.36	791	1.12				
	30:1	1.82	1507	1.39	1.02	847	0.78				
	40:1	1.45	1483	1.02	0.83	845	0.58				
	50:1	1.32	1527	0.84	0.67	779	0.43				
60:1	0.86	1149	0.53	0.63	844	0.39					
262	5:1	5.24	924	4.86	4.32	761	4.00	93	1000	1000	17
	10:1	4.17	1445	3.74	3.06	1061	2.75				
	15:1	3.22	1577	2.81	2.47	1212	2.16				
	20:1	2.67	1563	2.21	1.84	1078	1.53				
	30:1	2.22	1827	1.68	1.30	1072	0.99				
	40:1	1.85	1919	1.32	1.11	1153	0.80				
	50:1	1.37	1658	0.92	0.95	1152	0.64				
60:1	1.16	1670	0.77	0.94	1346	0.62					
325	5:1	9.72	1724	9.06	6.93	1228	6.46	93	1200	1100	15
	10:1	7.19	2419	6.46	4.63	1558	4.16				
	15:1	5.45	2611	4.65	3.19	1527	2.72				
	20:1	4.74	2875	4.07	3.31	2011	2.85				
	30:1	3.66	3045	2.8	2.00	1661	1.53				
	40:1	3.35	3692	2.55	1.96	2156	1.49				
	50:1	2.49	3413	1.88	1.92	2637	1.46				
60:1	2.03	3127	1.44	1.61	2476	1.14					



WORLDWIDE GEAR REDUCERS

Worm Gear Reducers

Heavy Duty Cast Iron Worm Gear Reducers

Flange Input - Shaft Output



WORM GEAR REDUCERS
HEAVY DUTY CAST IRON

Ratio C	Output RPM @ 1800 RPM Input	WCD Center (in.)	NEMA Motor Frame	Approx. Wt. (lbs.)	Model Number Left Hand Output	Model Number Right Hand Output	Model Number Double End Output	Li Price
5:1	350	1.33	56C	17	HdRF133-5/1-L-56C	HdRF133-5/1-R-56C	HdRF133-5/1-DE-56C	-
		1.54	56C	22	---	HdRF154-5/1-R-56C	HdRF154-5/1-DE-56C	-
		1.75	56C	27	HdRF175-5/1-L-56C	HdRF175-5/1-R-56C	HdRF175-5/1-DE-56C	-
		2.06	56C	32	HdRF206-5/1-L-56C	HdRF206-5/1-R-56C	HdRF206-5/1-DE-56C	-
		2.37	56C	38	HdRF237-5/1-L-56C	HdRF237-5/1-R-56C	HdRF237-5/1-DE-56C	-
		2.62	182/4TC	53	HdRF262-5/1-L-182/4TC	HdRF262-5/1-R-182/4TC	HdRF262-5/1-DE-182/4TC	-
		3.25	182/4TC	90	HdRF325-5/1-L-182/4TC	HdRF325-5/1-R-182/4TC	HdRF325-5/1-DE-182/4TC	-
10:1	175	1.33	56C	17	HdRF133-10/1-L-56C	HdRF133-10/1-R-56C	HdRF133-10/1-DE-56C	-
		1.54	56C	22	HdRF154-10/1-L-56C	HdRF154-10/1-R-56C	HdRF154-10/1-DE-56C	-
		1.75	56C	27	HdRF175-10/1-L-56C	HdRF175-10/1-R-56C	HdRF175-10/1-DE-56C	-
		2.06	56C	32	HdRF206-10/1-L-56C	HdRF206-10/1-R-56C	HdRF206-10/1-DE-56C	-
		2.37	56C	38	HdRF237-10/1-L-56C	HdRF237-10/1-R-56C	HdRF237-10/1-DE-56C	-
		2.37	145TC	53	HdRF237-10/1-L-145TC	HdRF237-10/1-R-145TC	---	-
		2.62	182/4TC	53	HdRF262-10/1-L-182/4TC	HdRF262-10/1-R-182/4TC	HdRF262-10/1-DE-182/4TC	-
3.25	182/4TC	90	HdRF325-10/1-L-182/4TC	HdRF325-10/1-R-182/4TC	HdRF325-10/1-DE-182/4TC	-		
15:1	120	1.33	56C	17	HdRF133-15/1-L-56C	HdRF133-15/1-R-56C	HdRF133-15/1-DE-56C	-
		1.54	56C	22	HdRF154-15/1-L-56C	HdRF154-15/1-R-56C	HdRF154-15/1-DE-56C	-
		1.75	56C	27	HdRF175-15/1-L-56C	HdRF175-15/1-R-56C	HdRF175-15/1-DE-56C	-
		2.06	56C	32	HdRF206-15/1-L-56C	HdRF206-15/1-R-56C	HdRF206-15/1-DE-56C	-
		2.37	56C	38	HdRF237-15/1-L-56C	HdRF237-15/1-R-56C	HdRF237-15/1-DE-56C	-
		2.62	56C	53	HdRF262-15/1-L-56C	HdRF262-15/1-R-56C	HdRF262-15/1-DE-56C	-
		2.62	145TC	53	HdRF262-15/1-L-145TC	HdRF262-15/1-R-145TC	HdRF262-15/1-DE-145TC	-
3.25	182/4TC	90	HdRF325-15/1-L-182/4TC	HdRF325-15/1-R-182/4TC	HdRF325-15/1-DE-182/4TC	-		
20:1	88	1.33	56C	17	HdRF133-20/1-L-56C	HdRF133-20/1-R-56C	HdRF133-20/1-DE-56C	-
		1.54	56C	22	HdRF154-20/1-L-56C	HdRF154-20/1-R-56C	HdRF154-20/1-DE-56C	-
		1.75	56C	27	HdRF175-20/1-L-56C	HdRF175-20/1-R-56C	HdRF175-20/1-DE-56C	-
		2.06	56C	32	HdRF206-20/1-L-56C	HdRF206-20/1-R-56C	HdRF206-20/1-DE-56C	-
		2.37	56C	38	HdRF237-20/1-L-56C	HdRF237-20/1-R-56C	HdRF237-20/1-DE-56C	-
		2.62	56C	53	HdRF262-20/1-L-56C	HdRF262-20/1-R-56C	HdRF262-20/1-DE-56C	-
		2.62	145TC	53	HdRF262-20/1-L-145TC	HdRF262-20/1-R-145TC	HdRF262-20/1-DE-145TC	-
3.25	182/4TC	90	HdRF325-20/1-L-182/4TC	HdRF325-20/1-R-182/4TC	HdRF325-20/1-DE-182/4TC	-		
30:1	58	1.33	56C	17	HdRF133-30/1-L-56C	HdRF133-30/1-R-56C	HdRF133-30/1-DE-56C	-
		1.54	56C	22	HdRF154-30/1-L-56C	HdRF154-30/1-R-56C	HdRF154-30/1-DE-56C	-
		1.75	56C	27	HdRF175-30/1-L-56C	HdRF175-30/1-R-56C	HdRF175-30/1-DE-56C	-
		2.06	56C	32	HdRF206-30/1-L-56C	HdRF206-30/1-R-56C	HdRF206-30/1-DE-56C	-
		2.37	56C	38	HdRF237-30/1-L-56C	HdRF237-30/1-R-56C	HdRF237-30/1-DE-56C	-
		2.62	56C	50	HdRF262-30/1-L-56C	HdRF262-30/1-R-56C	HdRF262-30/1-DE-56C	-
		2.62	145TC	50	HdRF262-30/1-L-145TC	HdRF262-30/1-R-145TC	HdRF262-30/1-DE-145TC	-
3.25	56C	87	HdRF325-30/1-L-56C	HdRF325-30/1-R-56C	HdRF325-30/1-DE-56C	-		
3.25	145TC	87	HdRF325-30/1-L-145TC	HdRF325-30/1-R-145TC	HdRF325-30/1-DE-145TC	-		
3.25	182/4TC	90	HdRF325-30/1-L-182/4TC	HdRF325-30/1-R-182/4TC	---	-		
40:1	44	1.33	56C	17	HdRF133-40/1-L-56C	HdRF133-40/1-R-56C	HdRF133-40/1-DE-56C	-
		1.54	56C	22	HdRF154-40/1-L-56C	HdRF154-40/1-R-56C	HdRF154-40/1-DE-56C	-
		1.75	56C	27	HdRF175-40/1-L-56C	HdRF175-40/1-R-56C	HdRF175-40/1-DE-56C	-
		2.06	56C	32	HdRF206-40/1-L-56C	HdRF206-40/1-R-56C	HdRF206-40/1-DE-56C	-
		2.37	56C	38	HdRF237-40/1-L-56C	HdRF237-40/1-R-56C	HdRF237-40/1-DE-56C	-
		2.62	56C	50	HdRF262-40/1-L-56C	HdRF262-40/1-R-56C	HdRF262-40/1-DE-56C	-
		2.62	145TC	50	HdRF262-40/1-L-145TC	---	---	-
3.25	56C	87	HdRF325-40/1-L-56C	HdRF325-40/1-R-56C	HdRF325-40/1-DE-56C	-		
3.25	145TC	87	HdRF325-40/1-L-145TC	HdRF325-40/1-R-145TC	HdRF325-40/1-DE-145TC	-		
50:1	35	1.33	56C	17	HdRF133-50/1-L-56C	HdRF133-50/1-R-56C	HdRF133-50/1-DE-56C	-
		1.54	56C	22	HdRF154-50/1-L-56C	HdRF154-50/1-R-56C	HdRF154-50/1-DE-56C	-
		1.76	56C	27	HdRF175-50/1-L-56C	HdRF175-50/1-R-56C	HdRF175-50/1-DE-56C	-
		2.06	56C	32	HdRF206-50/1-L-56C	HdRF206-50/1-R-56C	HdRF206-50/1-DE-56C	-
		2.37	56C	38	HdRF237-50/1-L-56C	HdRF237-50/1-R-56C	HdRF237-50/1-DE-56C	-
		2.62	56C	50	HdRF262-50/1-L-56C	HdRF262-50/1-R-56C	HdRF262-50/1-DE-56C	-
		3.25	56C	87	HdRF325-50/1-L-56C	HdRF325-50/1-R-56C	HdRF325-50/1-DE-56C	-
3.25	145TC	87	HdRF325-50/1-L-145TC	HdRF325-50/1-R-145TC	HdRF325-50/1-DE-145TC	-		
60:1	29	1.33	56C	17	HdRF133-60/1-L-56C	HdRF133-60/1-R-56C	HdRF133-60/1-DE-56C	-
		1.54	56C	22	HdRF154-60/1-L-56C	HdRF154-60/1-R-56C	HdRF154-60/1-DE-56C	-
		1.75	56C	27	HdRF175-60/1-L-56C	HdRF175-60/1-R-56C	HdRF175-60/1-DE-56C	-
		2.06	56C	32	HdRF206-60/1-L-56C	HdRF206-60/1-R-56C	HdRF206-60/1-DE-56C	-
		2.37	56C	38	HdRF237-60/1-L-56C	HdRF237-60/1-R-56C	HdRF237-60/1-DE-56C	-
		2.62	56C	50	HdRF262-60/1-L-56C	HdRF262-60/1-R-56C	HdRF262-60/1-DE-56C	-
		3.25	56C	87	HdRF325-60/1-L-56C	HdRF325-60/1-R-56C	HdRF325-60/1-DE-56C	-
3.25	145TC	87	HdRF325-60/1-L-145TC	HdRF325-60/1-R-145TC	HdRF325-60/1-DE-145TC	-		



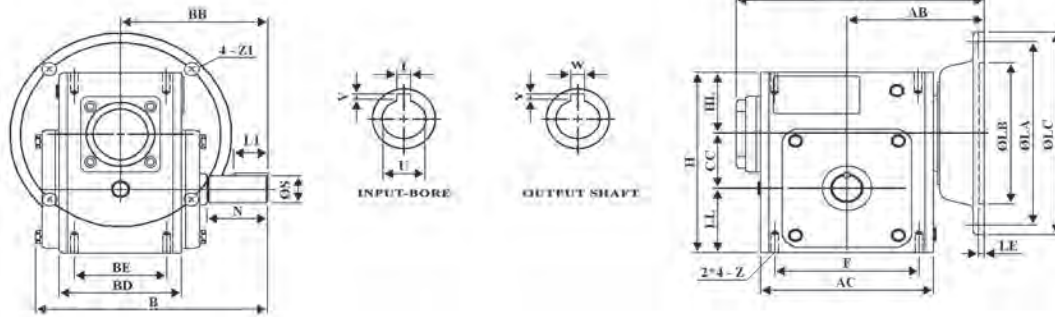
WORLDWIDE GEAR REDUCERS

Worm Gear Reducers

Heavy Duty Cast Iron Worm Gear Reducers

Flange Input - Shaft Output - Left / Right Hand Output

Dimensions



WORM GEAR REDUCERS
HEAVY DUTY CAST IRON

ALL DIMENSIONS IN INCHES

Box Size	NEMA Frame	A	AB	AC	B	BB	BD	BE	CC	F	H	HL	LL	N
133	56C	5.99	3.386	3.78	6.067	4	2.835	2	1.333	3.25	4.656	1.605	1.718	2
154	56C	7.15	3.976	4.961	6.122	4.311	3.622	2.75	1.54	4.188	5.378	1.929	1.909	1.772
175	56C	7.29	4.035	5.059	6.831	4.311	3.563	2.75	1.75	4.188	5.75	1.938	2.062	1.781
206	56C	7.95	4.37	5.748	7.249	4.69	3.819	2.88	2.062	5	6.375	2.032	2.281	2.09
237	56C	8.71	4.705	6.378	7.948	5.087	4.055	2.88	2.375	5	6.937	2.062	2.5	2.37
262	56C	9.41	5.059	7.165	8.872	5.63	4.685	3.375	2.625	6.375	8	2.437	2.938	2.626
	145TC	9.41	5.059	7.165	8.872	5.63	4.685	3.375	2.625	6.375	8	2.437	2.938	2.626
	182/4TC	10.57	6.24	7.165	8.872	5.63	4.685	3.375	2.625	6.375	8	2.437	2.938	2.626
325	56C	11.42	6.063	9.016	11.014	7.059	5.748	4	3.25	7.5	9.375	2.625	3.5	3.25
	145TC	11.42	6.063	9.016	11.014	7.059	5.748	4	3.25	7.5	9.375	2.625	3.5	3.25
	182/4TC	12.59	7.244	9.016	11.014	7.059	5.748	4	3.25	7.5	9.375	2.625	3.5	3.25

ALL DIMENSIONS IN INCHES

Box Size	NEMA Frame	Z (UNC)	INPUT BORE		OUTPUT SHAFT			FLANGE					Oil (oz.)
			U	T x V	L1	S	W x Y	LA	LB	LC	LE	Z1	
133	56C	5/16 - 18	0.625	3/16 x 3/32	1	0.625	3/16 x 3/32	5.875	4.5	6.496	0.157	0.433	5.82
154	56C	5/16 - 18	0.625	3/16 x 3/32	1	0.75	3/16 x 3/32	5.875	4.5	6.496	0.157	0.433	11.64
175	56C	5/16 - 18	0.625	3/16 x 3/32	1	0.875	3/16 x 3/32	5.875	4.5	6.496	0.157	0.433	11.64
206	56C	3/8 - 16	0.625	3/16 x 3/32	1.25	1	1/4 x 1/8	5.875	4.5	6.496	0.157	0.433	19.41
237	56C	3/8 - 16	0.625	3/16 x 3/32	1.25	1.125	1/4 x 1/8	5.875	4.5	6.496	0.157	0.433	24.07
262	56C	3/8 - 16	0.625	3/16 x 3/32	2	1.125	1/4 x 1/8	5.875	4.5	6.496	0.157	0.433	34.55
	145TC	3/8 - 16	0.875	3/16 x 3/32	2	1.125	1/4 x 1/8	5.875	4.5	6.496	0.157	0.433	34.55
	182/4TC	3/8 - 16	1.125	1/4 x 1/8	2	1.125	1/4 x 1/8	7.25	8.5	9	0.197	0.551	34.55
325	56C	7/16 - 14	0.625	3/16 x 3/32	2.438	1.375	3/16 x 5/32	5.875	4.5	6.496	0.157	0.433	73.75
	145TC	7/16 - 14	0.875	3/16 x 3/32	2.438	1.375	3/16 x 5/32	5.875	4.5	6.496	0.157	0.433	73.75
	182/4TC	7/16 - 14	1.125	1/4 x 1/8	2.438	1.375	3/16 x 5/32	7.25	8.5	9	0.197	0.551	73.75

Dimensions shown in this catalog are for general use only.
For an exact drawing on a specific rating, please contact our sales office.

Continued On Next Page



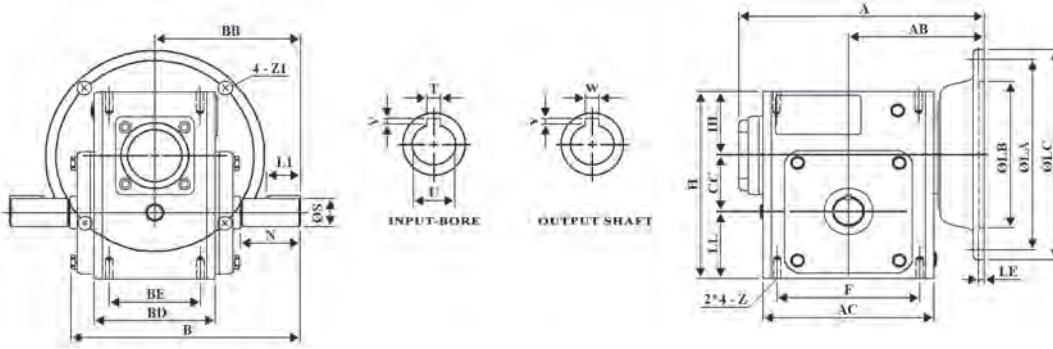
WORLDWIDE GEAR REDUCERS

Worm Gear Reducers

Heavy Duty Cast Iron Worm Gear Reducers

Flange Input - Shaft Output - Double End Output

Dimensions



WORM GEAR REDUCERS
HEAVY DUTY CAST IRON

ALL DIMENSIONS IN INCHES

Box Size	NEMA Frame	A	AB	AC	B	BB	BD	BE	CC	F	H	HL	LL	N
133	56C	5.99	3.386	3.78	6.067	4	2.835	2	1.333	3.25	4.656	1.605	1.718	2
175	56C	7.29	4.035	5.059	6.831	4.311	3.563	2.75	1.75	4.188	5.75	1.938	2.062	1.781
206	56C	7.95	4.37	5.748	7.249	4.69	3.819	2.88	2.062	5	6.375	2.032	2.281	2.09
237	56C	8.71	4.705	6.378	7.948	5.087	4.055	2.88	2.375	5	6.937	2.062	2.5	2.37
262	56C	9.41	5.059	7.165	8.872	5.63	4.685	3.375	2.625	6.375	8	2.437	2.938	2.626
	145TC	9.41	5.059	7.165	8.872	5.63	4.685	3.375	2.625	6.375	8	2.437	2.938	2.626
	182/4TC	10.57	6.24	7.165	8.872	5.63	4.685	3.375	2.625	6.375	8	2.437	2.938	2.626
325	56C	11.42	6.063	9.016	11.014	7.059	5.748	4	3.25	7.5	9.375	2.625	3.5	3.25
	145TC	11.42	6.063	9.016	11.014	7.059	5.748	4	3.25	7.5	9.375	2.625	3.5	3.25
	182/4TC	12.59	7.244	9.016	11.014	7.059	5.748	4	3.25	7.5	9.375	2.625	3.5	3.25

ALL DIMENSIONS IN INCHES

Box Size	NEMA Frame	Z (UNC)	INPUT BORE		OUTPUT SHAFT			FLANGE					Oil (oz.)
			U	T x V	L1	S	W x Y	LA	LB	LC	LE	Z1	
133	56C	5/16 - 18	0.625	3/16 x 3/32	1	0.625	3/16 x 3/32	5.875	4.5	6.496	0.157	0.433	5.82
175	56C	5/16 - 18	0.625	3/16 x 3/32	1	0.875	3/16 x 3/32	5.875	4.5	6.496	0.157	0.433	11.64
206	56C	3/8 - 16	0.625	3/16 x 3/32	1.25	1	1/4 x 1/8	5.875	4.5	6.496	0.157	0.433	19.41
237	56C	3/8 - 16	0.625	3/16 x 3/32	1.25	1.125	1/4 x 1/8	5.875	4.5	6.496	0.157	0.433	24.07
262	56C	3/8 - 16	0.625	3/16 x 3/32	2	1.125	1/4 x 1/8	5.875	4.5	6.496	0.157	0.433	34.55
	145TC	3/8 - 16	0.875	3/16 x 3/32	2	1.125	1/4 x 1/8	5.875	4.5	6.496	0.157	0.433	34.55
	182/4TC	3/8 - 16	1.125	1/4 x 1/8	2	1.125	1/4 x 1/8	7.25	8.5	9	0.197	0.551	34.55
325	56C	7/16 - 14	0.625	3/16 x 3/32	2.438	1.375	3/16 x 3/32	5.875	4.5	6.496	0.157	0.433	73.75
	145TC	7/16 - 14	0.875	3/16 x 3/32	2.438	1.375	3/16 x 3/32	5.875	4.5	6.496	0.157	0.433	73.75
	182/4TC	7/16 - 14	1.125	1/4 x 1/8	2.438	1.375	3/16 x 3/32	7.25	8.5	9	0.197	0.551	73.75

Dimensions shown in this catalog are for general use only.
For an exact drawing on a specific rating, please contact our sales office.

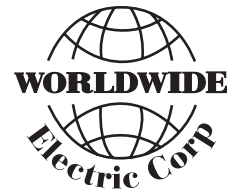


WORLDWIDE GEAR REDUCERS

Worm Gear Reducers

Heavy Duty Cast Iron Worm Gear Reducers

Flange Input - Hollow Bore Output



WORM GEAR REDUCERS
HEAVY DUTY CAST IRON

Ratio C	Output RPM @ 1800 RPM Input	WCD Center (in.)	NEMA Motor Frame	Approx. Wt. (lbs.)	Model Number	Li Price
5:1	350	1.33	56C	17	HdRF133-5/1-H-56C	-
		1.75	56C	27	HdRF175-5/1-H-56C	-
		2.06	56C	32	HdRF206-5/1-H-56C	-
		2.37	56C	38	HdRF237-5/1-H-56C	-
		2.62	182/4TC	53	HdRF262-5/1-H-182/4TC	-
		3.25	182/4TC	90	HdRF325-5/1-H-182/4TC	-
10:1	175	1.33	56C	17	HdRF133-10/1-H-56C	-
		1.75	56C	27	HdRF175-10/1-H-56C	-
		2.06	56C	32	HdRF206-10/1-H-56C	-
		2.37	56C	38	HdRF237-10/1-H-56C	-
		2.62	182/4TC	53	HdRF262-10/1-H-182/4TC	-
		3.25	182/4TC	90	HdRF325-10/1-H-182/4TC	-
15:1	120	1.33	56C	17	HdRF133-15/1-H-56C	-
		1.75	56C	27	HdRF175-15/1-H-56C	-
		2.06	56C	32	HdRF206-15/1-H-56C	-
		2.37	56C	38	HdRF237-15/1-H-56C	-
		2.62	56C	53	HdRF262-15/1-H-56C	-
		2.62	145TC	53	HdRF262-15/1-H-145TC	-
20:1	88	3.25	182/4TC	90	HdRF325-15/1-H-182/4TC	-
		1.33	56C	17	HdRF133-20/1-H-56C	-
		1.75	56C	27	HdRF175-20/1-H-56C	-
		2.06	56C	32	HdRF206-20/1-H-56C	-
		2.37	56C	38	HdRF237-20/1-H-56C	-
		2.62	56C	53	HdRF262-20/1-H-56C	-
30:1	58	2.62	145TC	53	HdRF262-20/1-H-145TC	-
		3.25	182/4TC	90	HdRF325-20/1-H-182/4TC	-
		1.33	56C	17	HdRF133-30/1-H-56C	-
		1.75	56C	27	HdRF175-30/1-H-56C	-
		2.06	56C	32	HdRF206-30/1-H-56C	-
		2.37	56C	38	HdRF237-30/1-H-56C	-
40:1	44	2.62	56C	50	HdRF262-30/1-H-56C	-
		2.62	145TC	50	HdRF262-30/1-H-145TC	-
		3.25	56C	87	HdRF325-30/1-H-56C	-
		3.25	145TC	87	HdRF325-30/1-H-145TC	-
		1.33	56C	17	HdRF133-40/1-H-56C	-
		1.75	56C	27	HdRF175-40/1-H-56C	-
50:1	35	2.06	56C	32	HdRF206-40/1-H-56C	-
		2.37	56C	38	HdRF237-40/1-H-56C	-
		2.62	56C	50	HdRF262-40/1-H-56C	-
		3.25	56C	87	HdRF325-40/1-H-56C	-
		3.25	145TC	87	HdRF325-40/1-H-145TC	-
		1.33	56C	17	HdRF133-50/1-H-56C	-
60:1	29	1.76	56C	27	HdRF175-50/1-H-56C	-
		2.06	56C	32	HdRF206-50/1-H-56C	-
		2.37	56C	38	HdRF237-50/1-H-56C	-
		2.62	56C	50	HdRF262-50/1-H-56C	-
		3.25	56C	87	HdRF325-50/1-H-56C	-
		3.25	145TC	87	HdRF325-50/1-H-145TC	-
60:1	29	1.33	56C	17	HdRF133-60/1-H-56C	-
		1.75	56C	27	HdRF175-60/1-H-56C	-
		2.06	56C	32	HdRF206-60/1-H-56C	-
		2.37	56C	38	HdRF237-60/1-H-56C	-
		2.62	56C	50	HdRF262-60/1-H-56C	-
		3.25	56C	87	HdRF325-60/1-H-56C	-
		3.25	145TC	87	HdRF325-60/1-H-145TC	-
		3.25	182/4TC	90	HdRF325-60/1-H-182/4TC	-



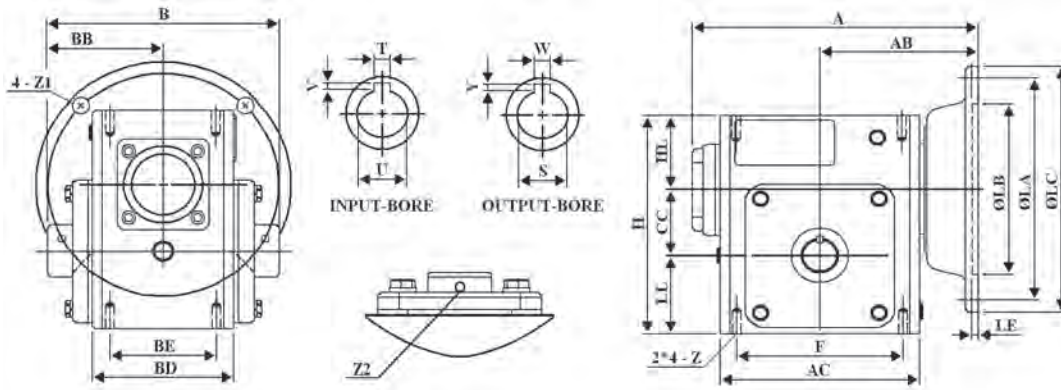
WORLDWIDE GEAR REDUCERS

Worm Gear Reducers

Heavy Duty Cast Iron Worm Gear Reducers

Flange Input - Hollow Bore Output

Dimensions



ALL DIMENSIONS IN INCHES

Box Size	NEMA Frame	A	AB	AC	B	BB	BD	BE	CC	F	H	HL	LL	Z2
133	56C	5.98	3.386	3.78	4.44	2.218	2.835	2	1.333	3.25	4.656	1.605	1.718	#10 - 32 UNF x 1/4
175	56C	7.28	4.035	5.059	6.18	3.091	3.563	2.75	1.75	4.19	5.75	1.938	2.062	#10 - 32 UNF x 1/4
206	56C	7.95	4.37	5.748	6.44	3.219	3.819	2.88	2.062	5	6.375	2.032	2.281	1/4 - 28 UNF x 3/8
237	56C	8.68	4.705	6.378	6.44	3.22	4.055	2.88	2.375	5	6.937	2.062	2.5	1/4 - 28 UNF x 3/8
262	56C	9.41	5.059	7.165	7	3.5	4.68	3.375	2.625	6.38	8	2.437	2.938	1/4 - 28 UNF x 3/8
	145TC	9.41	5.059	7.165	7	3.5	4.68	3.375	2.625	6.38	8	2.437	2.938	1/4 - 28 UNF x 3/8
	182/4TC	10.59	6.24	7.165	7	3.5	4.68	3.375	2.625	6.38	8	2.437	2.938	1/4 - 28 UNF x 3/8
325	56C	11.42	6.063	9.016	8.76	4.38	5.748	4	3.25	7.5	9.375	2.625	3.5	5/16 - 24 UNF x 3/8
	145TC	11.42	6.063	9.016	8.76	4.38	5.748	4	3.25	7.5	9.375	2.625	3.5	5/16 - 24 UNF x 3/8
	182/4TC	12.6	7.244	9.016	8.76	4.38	5.748	4	3.25	7.5	9.375	2.625	3.5	5/16 - 24 UNF x 3/8

ALL DIMENSIONS IN INCHES

Box Size	NEMA Frame	Z (UNC)	INPUT BORE		OUTPUT BORE		FLANGE					Oil (oz.)
			U	T x V	S	W x Y	LA	LB	LC	LE	Z1	
133	56C	5/16 - 18	0.625	3/16 x 3/32	0.625	3/16 x 3/32	5.875	4.5	6.5	0.157	0.433	5.82
175	56C	5/16 - 18	0.625	3/16 x 3/32	1	1/4 x 7/64	5.875	4.5	6.5	0.157	0.433	11.64
206	56C	3/8 - 16	0.625	3/16 x 3/32	1.125	1/4 x 1/8	5.875	4.5	6.5	0.157	0.433	19.41
237	56C	3/8 - 16	0.625	3/16 x 3/32	1.25	1/4 x 1/8	5.875	4.5	6.5	0.157	0.433	24.07
262	56C	3/8 - 16	0.625	3/16 x 3/32	1.437	3/8 x 3/16	5.875	4.5	6.5	0.157	0.433	34.55
	145TC	3/8 - 16	0.875	3/16 x 3/32	1.437	3/8 x 3/16	5.875	4.5	6.5	0.157	0.433	34.55
	182/4TC	3/8 - 16	1.125	1/4 x 1/8	1.437	3/8 x 3/16	7.25	8.5	9	0.2	0.551	34.55
325	56C	7/16 - 14	0.625	3/16 x 3/32	1.937	1/2 x 1/4	5.875	4.5	6.5	0.157	0.433	73.75
	145TC	7/16 - 14	0.875	3/16 x 3/32	1.937	1/2 x 1/4	5.875	4.5	6.5	0.157	0.433	73.75
	1842/TC	7/16 - 14	1.125	1/4 x 1/8	1.937	1/2 x 1/4	7.25	8.5	9	0.2	0.551	73.75

Dimensions shown in this catalog are for general use only.
For an exact drawing on a specific rating, please contact our sales office.

WORM GEAR REDUCERS
HEAVY DUTY CAST IRON



WORLDWIDE GEAR REDUCERS

Worm Gear Reducers

Heavy Duty Cast Iron Worm Gear Reducers
Shaft Input - Shaft Output



WORM GEAR REDUCERS
HEAVY DUTY CAST IRON

Ratio C	Output RPM @ 1800 RPM Input	WCD Center (in.)	NEMA Motor Frame	Approx. Wt. (lbs.)	Model Number Left Hand Output	Model Number Right Hand Output	Li Price
5:1	350	1.33	56	17	HdRS133-5/1-L	HdRS133-5/1-R	-
		1.75	56	27	HdRS175-5/1-L	HdRS175-5/1-R	-
		2.06	56	32	HdRS206-5/1-L	HdRS206-5/1-R	-
		2.37	56	38	HdRS237-5/1-L	HdRS237-5/1-R	-
		2.62	182/4T	53	HdRS262-5/1-L	HdRS262-5/1-R	-
		3.25	182/4T	90	HdRS325-5/1-L	HdRS325-5/1-R	-
10:1	175	1.33	56	17	HdRS133-10/1-L	HdRS133-10/1-R	-
		1.75	56	27	HdRS175-10/1-L	HdRS175-10/1-R	-
		2.06	56	32	HdRS206-10/1-L	HdRS206-10/1-R	-
		2.37	56	38	HdRS237-10/1-L	HdRS237-10/1-R	-
		2.62	182/4T	53	HdRS262-10/1-L	HdRS262-10/1-R	-
		3.25	182/4T	90	HdRS325-10/1-L	HdRS325-10/1-R	-
15:1	120	1.33	56	17	HdRS133-15/1-L	HdRS133-15/1-R	-
		1.75	56	27	HdRS175-15/1-L	HdRS175-15/1-R	-
		2.06	56	32	HdRS206-15/1-L	HdRS206-15/1-R	-
		2.37	56	38	HdRS237-15/1-L	HdRS237-15/1-R	-
		2.62	56 / 145T	53	HdRS262-15/1-L	HdRS262-15/1-R	-
		3.25	182/4T	90	HdRS325-15/1-L	HdRS325-15/1-R	-
20:1	88	1.33	56	17	HdRS133-20/1-L	HdRS133-20/1-R	-
		1.75	56	27	HdRS175-20/1-L	HdRS175-20/1-R	-
		2.06	56	32	HdRS206-20/1-L	HdRS206-20/1-R	-
		2.37	56	38	HdRS237-20/1-L	HdRS237-20/1-R	-
		2.62	56 / 145T	53	HdRS262-20/1-L	HdRS262-20/1-R	-
		3.25	182/4T	90	HdRS325-20/1-L	HdRS325-20/1-R	-
30:1	58	1.33	56	17	HdRS133-30/1-L	HdRS133-30/1-R	-
		1.75	56	27	HdRS175-30/1-L	HdRS175-30/1-R	-
		2.06	56	32	HdRS206-30/1-L	HdRS206-30/1-R	-
		2.37	56	38	HdRS237-30/1-L	HdRS237-30/1-R	-
		2.62	56 / 145T	50	HdRS262-30/1-L	HdRS262-30/1-R	-
		3.25	56 / 145T	87	HdRS325-30/1-L	HdRS325-30/1-R	-
40:1	44	1.33	56	17	HdRS133-40/1-L	HdRS133-40/1-R	-
		1.75	56	27	HdRS175-40/1-L	HdRS175-40/1-R	-
		2.06	56	32	HdRS206-40/1-L	HdRS206-40/1-R	-
		2.37	56	38	HdRS237-40/1-L	HdRS237-40/1-R	-
		2.62	56	50	HdRS262-40/1-L	HdRS262-40/1-R	-
		3.25	56 / 145T	87	HdRS325-40/1-L	HdRS325-40/1-R	-
50:1	35	1.33	56	17	HdRS133-50/1-L	HdRS133-50/1-R	-
		1.76	56	27	HdRS175-50/1-L	HdRS175-50/1-R	-
		2.06	56	32	HdRS206-50/1-L	HdRS206-50/1-R	-
		2.37	56	38	HdRS237-50/1-L	HdRS237-50/1-R	-
		2.62	56	50	HdRS262-50/1-L	HdRS262-50/1-R	-
		3.25	56 / 145T	87	HdRS325-50/1-L	HdRS325-50/1-R	-
60:1	29	1.33	56	17	HdRS133-60/1-L	HdRS133-60/1-R	-
		1.75	56	27	HdRS175-60/1-L	HdRS175-60/1-R	-
		2.06	56	32	HdRS206-60/1-L	HdRS206-60/1-R	-
		2.37	56	38	HdRS237-60/1-L	HdRS237-60/1-R	-
		2.62	56	50	HdRS262-60/1-L	HdRS262-60/1-R	-
		3.25	56 / 145T / 182/4T	87	HdRS325-60/1-L	HdRS325-60/1-R	-



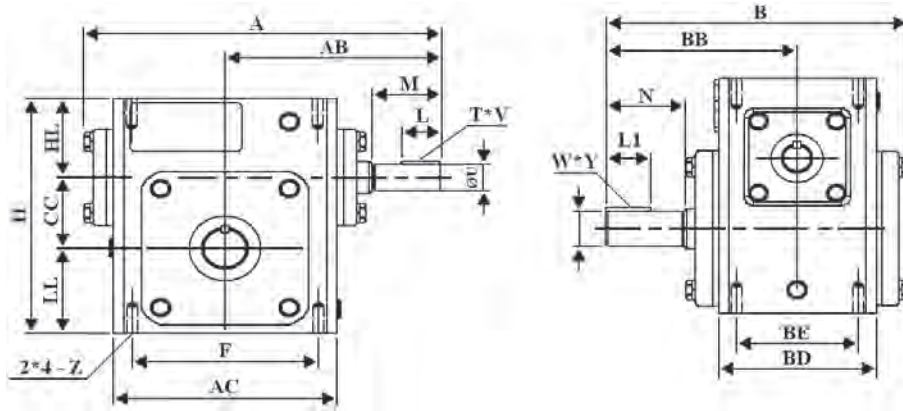
WORLDWIDE GEAR REDUCERS

Worm Gear Reducers

Heavy Duty Cast Iron Worm Gear Reducers

Shaft Input - Shaft Output

Dimensions



ALL DIMENSIONS IN INCHES

Box Size	NEMA Frame	A	AB	AC	B	BB	BD	BE	CC	F	H	HL	LL
133	56	6.45	3.907	3.78	6.067	4	2.835	2	1.333	3.25	4.656	1.605	1.718
175	56	8.06	4.872	5.059	6.831	4.311	3.563	2.75	1.75	4.188	5.75	1.938	2.062
206	56	8.65	5.128	5.748	7.249	4.69	3.819	2.88	2.062	5	6.375	2.032	2.281
	145T	8.65	5.128	5.748	7.249	4.69	3.819	2.88	2.062	5	6.375	2.032	2.281
237	56	9.69	5.75	6.378	7.948	5.087	4.055	2.88	2.375	5	6.937	2.062	2.5
	145T	9.69	5.75	6.378	7.948	5.087	4.055	2.88	2.375	5	6.937	2.062	2.5
	182/4T	9.69	5.75	6.378	7.948	5.087	4.055	2.88	2.375	5	6.937	2.062	2.5
262	56	10.61	6.309	7.165	8.872	5.63	4.685	3.375	2.625	6.375	8	2.437	2.938
	145T	10.61	6.309	7.165	8.872	5.63	4.685	3.375	2.625	6.375	8	2.437	2.938
	182/4T	10.61	6.309	7.165	8.872	5.63	4.685	3.375	2.625	6.375	8	2.437	2.938
325	145T	12.74	7.441	9.016	11.01	7.059	5.748	4	3.25	7.5	9.375	2.625	3.5
	182/4T	12.74	7.441	9.016	11.01	7.059	5.748	4	3.25	7.5	9.375	2.625	3.5

ALL DIMENSIONS IN INCHES

Box Size	NEMA Frame	M	N	Z (UNC)	INPUT SHAFT			OUTPUT SHAFT			Oil (oz.)
					L	U	T x V	L1	S	W x Y	
133	56	1.309	2	5/16 - 18	0.625	0.5	1/8 x 1/16	1	0.625	3/16 x 3/32	5.82
175	56	1.555	1.781	5/16 - 18	0.875	0.625	3/16 x 3/32	1	0.875	3/16 x 3/32	11.64
206	56	1.555	2.09	3/8 - 16	0.875	0.625	3/16 x 3/32	1.25	1	1/4 x 1/8	19.41
	145T	1.555	2.09	3/8 - 16	0.875	0.625	3/16 x 3/32	1.25	1	1/4 x 1/8	19.41
237	56	2	2.37	3/8 - 16	1	0.75	3/16 x 3/32	1.25	1.125	1/4 x 1/8	24.07
	145T	2	2.37	3/8 - 16	1	0.75	3/16 x 3/32	1.25	1.125	1/4 x 1/8	24.07
	182/4T	2	2.37	3/8 - 16	1	0.75	3/16 x 3/32	1.25	1.125	1/4 x 1/8	24.07
262	56	2	2.626	3/8 - 16	1	0.75	3/16 x 3/32	2	1.125	1/4 x 1/8	34.55
	145T	2	2.626	3/8 - 16	1	0.75	3/16 x 3/32	2	1.125	1/4 x 1/8	34.55
	182/4T	2	2.626	3/8 - 16	1	0.75	3/16 x 3/32	2	1.125	1/4 x 1/8	34.55
325	145T	2.343	3.25	7/16 - 14	1	0.875	3/16 x 3/32	2.438	1.375	5/16 x 5/32	73.75
	182/4T	2.343	3.25	7/16 - 14	1	0.875	3/16 x 3/32	2.438	1.375	5/16 x 5/32	73.75

Dimensions shown in this catalog are for general use only.
For an exact drawing on a specific rating, please contact our sales office.

WORM GEAR REDUCERS
HEAVY DUTY CAST IRON



WORLDWIDE GEAR REDUCERS

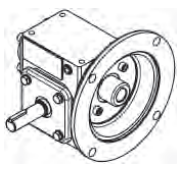
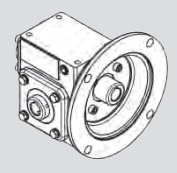
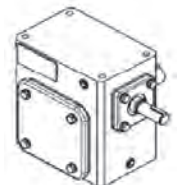
Worm Gear Reducers

Heavy Duty Cast Iron Worm Gear Reducers

Competitive Interchange



WORM GEAR REDUCERS
HEAVY DUTY CAST IRON

Center Distance		1.33	1.75	2.06	2.37	2.62	3.25
C-FACE INPUT SHAFT OUTPUT 	WorldWide Electric	HdRF133-L/R	HdRF175-L/R	HdRF206-L/R	HdRF237-L/R	HdRF262-L/R	HdRF325-L/R
	Alling Lander	13UF	17UF	20UF	23UF	26UF	32UF
	Baldor	F913	F918	F921	F924	F926	F932
	Boston	F713	F718	F721	F724	F726	F732
	Browning - Raider	Q133	Q175	Q206	Q237	Q262	Q325
	Dodge - Tigear	Q133	Q175	Q200	—	Q262	—
	Electra *	MSC13	MSC17	MSC21	—	MSC26	—
	Falk - Omnibox	1133WBM	1175WBM	1206WBM	1238WBM	1262WBM	1325WBM
	Grove (New)	BMQ213	BMQ218	BMQ220	BMQ224	BMQ226	BMQ232
	Grove (Old)	BMQ1133	BMQ1175	BMQ1206	BMQ1238	BMQ1262	BMQ1325
	Hub City *	134	184	214	—	264	324
	Leeson	BMQ613	BMQ618	BMQ621	BMQ624	BMQ626	BMQ632
	Morse Cobra *	13Q	18Q	21Q	—	26Q	—
	Morse Raider	713F	718F	721F	724F	726F	732F
	Ohio Gear	BMQ2133	BMQ2175	BMQ2206	BMQ2238	BMQ2262	BMQ2325
Winsmith *	913MDN	917MDN	920MDN	924MDN	926MDN	—	
C-FACE INPUT HOLLOW BORE OUTPUT 	WorldWide Electric	HdRF133-H	HdRF175-H	HdRF206-H	HdRF237-H	HdRF262-H	HdRF325-H
	Alling Lander	13YF	17YF	20YF	23YF	26YF	32YF
	Baldor	HF913	HF918	HF921	HF924	HF926	HF932
	Boston	HF713	HF718	HF721	HF724	HF726	HF732
	Browning - Raider	QH133	QH175	QH206	QH237	QH262	QH325
	Electra *	—	MHSC17	MHSC21	—	MHSC26	—
	Falk - Omnibox	1133WBQM	1175WBQM	1206WBQM	1238WBQM	1262WBQM	1325WBQM
	Grove (New)	HMQ213	HMQ218	HMQ220	HMQ224	HMQ226	HMQ232
	Grove (Old)	HMQ1133	HMQ1175	HMQ1206	HMQ1238	HMQ1262	HMQ1325
	Hub City *	—	185	215	—	265	325
	Leeson	HMQ613	HMQ618	HMQ621	HMQ624	HMQ626	HMQ632
	Morse Cobra *	13QH	18QH	21QH	—	26QH	—
	Morse Raider	713SF	718SF	721SF	724SF	726SF	732SF
	Ohio Gear	SM2133MQ	SM2175MQ	SM2206MQ	SM2238MQ	SM2262MQ	SM2325MQ
	Winsmith *	—	917MDSN	920MDSN	924MDSN	926MDSN	—
SHAFT INPUT SHAFT OUTPUT 	WorldWide Electric	HdRS133	HdRS175	HdRS206	HdRS237	HdRS262	HdRS325
	Alling Lander	13U	17U	20U	23U	26U	32U
	Baldor	S913	S918	S921	S924	S926	S932
	Boston	713	718	721	724	726	732
	Browning - Raider	U133	U175	U206	U237	U262	U325
	Dodge - Tigear	S133	S175	S200	—	S262	—
	Electra *	M13	M17	M21	—	M26	—
	Falk - Omnibox	1133WB	1175WB	1206WB	1238WB	1262WB	1325WB
	Grove (New)	B213	B218	B220	B224	B226	B232
	Grove (Old)	B1133	B1175	B1206	B1238	B1262	B1325
	Hub City *	131	181	211	—	261	321
	Leeson	B613	B618	B621	B624	B626	B632
	Morse Cobra *	13U	18U	21U	—	26U	—
	Morse Raider	713B	718B	721B	724B	726B	732B
	Ohio Gear	B2133	B2175	B2206	B2238	B2262	B2325
Winsmith *	913DN	917DN	920DN	924DN	926DN	—	

* WorldWide worm gearboxes are not dimensionally interchangeable with these manufacturers.

** WorldWide hollow bore worm gearboxes have only one output diameter bore available per center distance.



WORLDWIDE GEAR REDUCERS

Worm Gear Reducers

Heavy Duty Cast Iron Worm Gear Reducers

Accessories / Parts

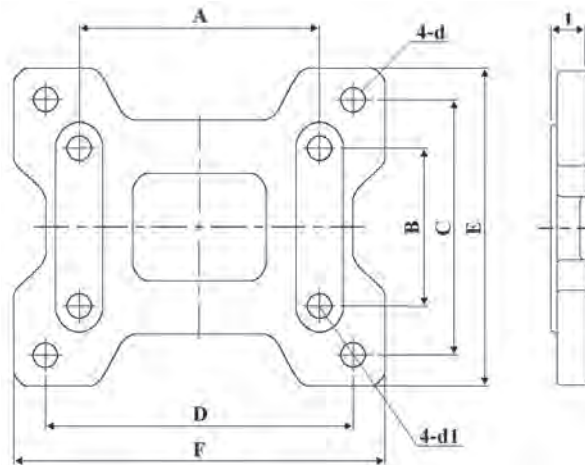


Mounting Bases

- Box sizes 1.33 - 3.25
- Includes mounting bolts

Box Size	Model Number	List Price
133	HdRBASE133	-
154	HdRBASE154	-
175	HdRBASE175	-
206	HdRBASE206	-
237	HdRBASE237	-
262	HdRBASE262	-
325	HdRBASE325	-

WORM GEAR REDUCERS
HEAVY DUTY CAST IRON



ALL DIMENSIONS IN INCHES

Box Size	A	B	C	D	E	F	t	d	d1
133	3.25	2.00	3.31	4.38	4.19	5.38	0.53	1 ¹ / ₃₂	3 ³ / ₈
154	4.19	2.75	4.31	5.25	5.44	6.44	0.59	1 ¹ / ₃₂	3 ³ / ₈
175	4.19	2.75	4.50	5.75	5.69	7.00	0.69	1 ³ / ₃₂	3 ³ / ₈
206	5.00	2.88	4.69	6.38	5.94	7.75	0.72	1 ⁵ / ₃₂	7 ¹ / ₁₆
237	5.00	2.88	4.88	7.06	6.22	8.50	0.75	1 ⁵ / ₃₂	7 ¹ / ₁₆
262	6.38	3.38	5.25	8.00	6.66	9.63	0.75	1 ⁷ / ₃₂	7 ¹ / ₁₆
325	7.50	4.00	6.13	9.50	7.66	11.19	0.88	1 ⁷ / ₃₂	1 ¹ / ₂

Dimensions shown in this catalog are for general use only.
For an exact drawing on a specific rating, please contact our sales office.



WORLDWIDE GEAR REDUCERS

Worm Gear Reducers

Heavy Duty Cast Iron Worm Gear Reducers

Accessories / Parts



Model Number	Description	List Price
Breather Plugs		
HdR-BPBRASSALL	BREATHER PLUG HdRF133-HdRF262 / HdRS133-HdRS262	-
HdR-BPBRASS325	BREATHER PLUG HdRF325 / HdRS325	-
Bearings / Input		
HdR-PBA30203	INPUT BEARING HdRF133-HdRF206	-
HdR-PBA30204	INPUT BEARING HdRS133	-
HdR-PBA30205	INPUT BEARING HdRF237-HdRF262 / HdRS175-HdRS206	-
HdR-PBA30206	INPUT BEARING HdRF133-HdRF206	-
HdR-PBA30207	INPUT BEARING HdRS325	-
Bearings / Output		
HdR-PBA30204	OUTPUT BEARING HdRF133 / HdRS133	-
HdR-PBA30206	OUTPUT BEARING HdRF175-HdRF206 / HdRS175-HdRS206	-
HdR-PBA30207	OUTPUT BEARING HdRF237-HdRF262 / HdRS237-HdRS262	-
HdR-PBA30208	OUTPUT BEARING HdRF325 / HdRS325	-
HdR-PBA32008	OUTPUT BEARING HdRF175 HOLLOW BORE	-
HdR-PBA32009	OUTPUT BEARING HdRF206 HOLLOW BORE	-
HdR-PBA32010	OUTPUT BEARING HdRF237 HOLLOW BORE	-
HdR-PBA32012	OUTPUT BEARING HdRF262 HOLLOW BORE	-
HdR-PBA32014	OUTPUT BEARING HdRF325 HOLLOW BORE	-
Input Flanges		
HdR-KFYG0331651	INPUT FLANGE HdRF133-HdRF154 (56C)	-
HdR-KFYG0451651	INPUT FLANGE HdRF175-HdRF206 (56C)	-
HdR-KFYG0611651	INPUT FLANGE HdRF237-HdRF262 (56C/145TC)	-
HdR-KFYG0612281	INPUT FLANGE HdRF262 (182/4TC)	-
HdR-KFYG0831651	INPUT FLANGE HdRF325 (56C/145TC)	-
HdR-KFYG0832281	INPUT FLANGE HdRF325 (182/4TC)	-
Oil Seals / Sealed		
HdR-PSS000040089	OIL SEAL / SEALED HdRF133-HdRF206	-
HdR-PSS000052079	OIL SEAL / SEALED HdRF237-HdRF262	-
HdR-PSS000062107	OIL SEAL / SEALED HdRF325	-
Oil Seals / Input		
HdR-PSS030042081	OIL SEAL / INPUT HdRF133-HdRF325 (56C)	-
HdR-PSS035042081	OIL SEAL / INPUT HdRF237-HdRF262 (145TC)	-
HdR-PSS045062081	OIL SEAL / INPUT HdRF262-HdRF325 (182/4TC)	-
HdR-PSS045062081	OIL SEAL / INPUT HdRF325 (145TC)	-
HdR-PSS017035071	OIL SEAL / INPUT HdRS133 (56C)	-
HdR-PSS020035081	OIL SEAL / INPUT HdRS175-HdRS206 (56C)	-
HdR-PSS025035061	OIL SEAL / INPUT HdRS237-HdRS262 (56C)	-
HdR-PSS030040071	OIL SEAL / INPUT HdRS325-(56C)	-
Oil Seals / Output		
HdR-PSS020032061	OIL SEAL / OUTPUT HdRF133 / HdRS133	-
HdR-PSS025045081	OIL SEAL / OUTPUT HdRF175 / HdRS175	-
HdR-PSS030047061	OIL SEAL / OUTPUT HdRF206 / HdRS206	-
HdR-PSS035050081	OIL SEAL / OUTPUT HdRF237 / HdRS237	-
HdR-PSS035055081	OIL SEAL / OUTPUT HdRF262 / HdRS262	-
HdR-PSS040055081	OIL SEAL / OUTPUT HdRF325 / HdRS325	-
HdR-PSS040062121	OIL SEAL / OUTPUT HdRF175 HOLLOW BORE	-
HdR-PSS045068121	OIL SEAL / OUTPUT HdRF206 HOLLOW BORE	-
HdR-PSS050072121	OIL SEAL / OUTPUT HdRF237 HOLLOW BORE	-
HdR-PSS060082121	OIL SEAL / OUTPUT HdRF262 HOLLOW BORE	-
HdR-PSS070095131	OIL SEAL / OUTPUT HdRF325 HOLLOW BORE	-
Set Screws		
HdR-H-PTCB10006F	SET SCREW HdRF133-HdRF175 / HdRS133-HdRS175	-
HdR-H-PTCB02009F	SET SCREW HdRF206-HdRF237 / HdRS206-HdRS237	-
HdR-H-PTCB02011F	SET SCREW HdRF262 / HdRS262	-
HdR-H-PTCBH2009F	SET SCREW HdRF325 / HdRS325	-

WORM GEAR REDUCERS
HEAVY DUTY CAST IRON

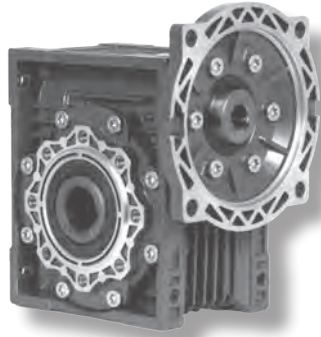


WORLDWIDE GEAR REDUCERS

Worm Gear Reducers

Aluminum Worm Gear Reducers

Product Overview



Product Overview

- 7.5:1 - 100:1 ratios
- Box sizes (Center distances 30 mm - 90 mm)
- Aluminum alloy housing for light weight design
- Hardened worm shaft for increased durability
- Two bearings on input and output shafts
- NEMA motor input flanges
- All units filled with synthetic oil (Mobil SHC634)
- Double lip oil seals prevent leakage
- Multiple mounting holes for all angle mounts
- Epoxy paint applied to inside and outside of reducer to protect against rust
- Hollow output bores with plug-in output shafts
- 1 year warranty

WORM GEAR REDUCERS
ALUMINUM

Ratio	Output RPM @ 1750 RPM Input	WCD Center (mm)	HP	NEMA Motor Frame	Approx. Wt. (lbs.)	Model Number	Li Price
7.5:1	233	30	0.70	56C	3	CALM30-7.5/1-56C	-
		40	1.50	56C	5	CALM40-7.5/1-56C	-
		50	2.72	56C	8	CALM50-7.5/1-56C	-
		63	4.46	56C	13	CALM63-7.5/1-56C	-
		63	4.46	145TC	13	CALM63-7.5/1-145TC	-
		75	6.44	56C	19	CALM75-7.5/1-56C	-
		75	6.44	145TC	19	CALM75-7.5/1-145TC	-
		75	6.44	182/4TC	19	CALM75-7.5/1-182/4TC	-
		90	10.98	56C	28	CALM90-7.5/1-56C	-
		90	10.98	145TC	28	CALM90-7.5/1-145TC	-
10:1	175	30	0.54	56C	3	CALM30-10/1-56C	-
		40	1.21	56C	5	CALM40-10/1-56C	-
		50	2.12	56C	8	CALM50-10/1-56C	-
		63	3.52	56C	13	CALM63-10/1-56C	-
		63	3.52	145TC	13	CALM63-10/1-145TC	-
		75	5.20	56C	19	CALM75-10/1-56C	-
		75	5.20	145TC	19	CALM75-10/1-145TC	-
		75	5.20	182/4TC	19	CALM75-10/1-182/4TC	-
		90	8.92	56C	28	CALM90-10/1-56C	-
		90	8.92	145TC	28	CALM90-10/1-145TC	-
15:1	117	30	0.38	56C	3	CALM30-15/1-56C	-
		40	0.83	56C	5	CALM40-15/1-56C	-
		50	1.52	56C	8	CALM50-15/1-56C	-
		63	2.70	56C	13	CALM63-15/1-56C	-
		63	2.70	145TC	13	CALM63-15/1-145TC	-
		75	4.07	56C	19	CALM75-15/1-56C	-
		75	4.07	145TC	19	CALM75-15/1-145TC	-
		75	4.07	182/4TC	19	CALM75-15/1-182/4TC	-
		90	7.05	56C	28	CALM90-15/1-56C	-
		90	7.05	145TC	28	CALM90-15/1-145TC	-
20:1	88	30	0.28	56C	3	CALM30-20/1-56C	-
		40	0.63	56C	5	CALM40-20/1-56C	-
		50	1.14	56C	8	CALM50-20/1-56C	-
		63	2.06	56C	13	CALM63-20/1-56C	-
		63	2.06	145TC	13	CALM63-20/1-145TC	-
		75	3.24	56C	19	CALM75-20/1-56C	-
		75	3.24	145TC	19	CALM75-20/1-145TC	-
		90	5.33	56C	28	CALM90-20/1-56C	-
		90	5.33	145TC	28	CALM90-20/1-145TC	-
		90	5.33	182/4TC	28	CALM90-20/1-182/4TC	-

Continued On Next Page



WORLDWIDE GEAR REDUCERS

Worm Gear Reducers

Aluminum Worm Gear Reducers

Product Overview



WORM GEAR REDUCERS
ALUMINUM

Ratio	Output RPM @ 1800 RPM Input	WCD Center (mm)	HP	NEMA Motor Frame	Approx. Wt. (lbs.)	Model Number	List Price		
25:1	70	30	0.30	56C	3	CALM30-25/1-56C	-		
		40	0.48	56C	5	CALM40-25/1-56C	-		
		50	0.86	56C	8	CALM50-25/1-56C	-		
		63	1.56	56C	13	CALM63-25/1-56C	-		
		75	2.43	56C	19	CALM75-25/1-56C	-		
		75	2.43	145TC	19	CALM75-25/1-145TC	-		
		90	4.18	56C	28	CALM90-25/1-56C	-		
		90	4.18	145TC	28	CALM90-25/1-145TC	-		
		90	4.18	182/4TC	28	CALM90-25/1-182/4TC	-		
30:1	58	30	0.25	56C	3	CALM30-30/1-56C	-		
		40	0.53	56C	5	CALM40-30/1-56C	-		
		50	0.94	56C	8	CALM50-30/1-56C	-		
		63	1.64	56C	13	CALM63-30/1-56C	-		
		75	2.41	56C	19	CALM75-30/1-56C	-		
		90	4.21	56C	28	CALM90-30/1-56C	-		
		90	4.21	145TC	28	CALM90-30/1-145TC	-		
		90	4.21	182/4TC	28	CALM90-30/1-182/4TC	-		
		40:1	44	30	0.19	56C	3	CALM30-40/1-56C	-
40	0.40			56C	5	CALM40-40/1-56C	-		
50	0.70			56C	8	CALM50-40/1-56C	-		
63	1.21			56C	13	CALM63-40/1-56C	-		
75	1.90			56C	19	CALM75-40/1-56C	-		
90	3.01			56C	28	CALM90-40/1-56C	-		
90	3.01			145TC	28	CALM90-40/1-145TC	-		
50:1	35			30	0.15	56C	3	CALM30-50/1-56C	-
				40	0.31	56C	5	CALM40-50/1-56C	-
		50	0.56	56C	8	CALM50-50/1-56C	-		
		63	0.99	56C	13	CALM63-50/1-56C	-		
		75	1.47	56C	19	CALM75-50/1-56C	-		
		90	2.36	56C	28	CALM90-50/1-56C	-		
		90	2.36	145TC	28	CALM90-50/1-145TC	-		
		60:1	29	30	0.12	56C	3	CALM30-60/1-56C	-
				40	0.25	56C	5	CALM40-60/1-56C	-
50	0.47			56C	8	CALM50-60/1-56C	-		
63	0.82			56C	13	CALM63-60/1-56C	-		
75	1.22			56C	19	CALM75-60/1-56C	-		
90	1.93			56C	28	CALM90-60/1-56C	-		
80:1	22			30	0.08	56C	3	CALM30-80/1-56C	-
				40	0.18	56C	5	CALM40-80/1-56C	-
				50	0.35	56C	8	CALM50-80/1-56C	-
		63	0.60	56C	13	CALM63-80/1-56C	-		
		75	0.91	56C	19	CALM75-80/1-56C	-		
		90	1.27	56C	28	CALM90-80/1-56C	-		
		100:1	17.5	40	0.14	56C	5	CALM40-100/1-56C	-
				50	0.26	56C	8	CALM50-100/1-56C	-
				63	0.51	56C	13	CALM63-100/1-56C	-
75	0.74			56C	19	CALM75-100/1-56C	-		
90	1.03			56C	28	CALM90-100/1-56C	--		



WORLDWIDE GEAR REDUCERS

Worm Gear Reducers

Aluminum Worm Gear Reducers

Mechanical Ratings



Input Speed		1750 RPM								
Box Size	Ratio	Mechanical (1.0 SF)			Efficiency (%)	O.H.L. (lbs.)	Output Shaft Thrust Load (lbs)	Backlash (Angular minutes) (')		
		Input HP	Output Torque (lbs. in.)	Output Speed				Min	Max	
30	7.5:1	0.70	160	233	85	143	29	13.8	28.8	
	10:1	0.54	160	175	83	157	31	13.8	28.8	
	15:1	0.38	160	117	78	180	36	13.8	28.8	
	20:1	0.28	151	88	74	198	40	13.2	28.2	
	25:1	0.30	185	70	69	213	43	13.2	27.0	
	30:1	0.25	177	58	66	226	45	13.8	28.8	
	40:1	0.19	160	44	60	249	50	13.2	28.2	
	50:1	0.15	151	35	56	268	54	13.2	27.0	
	60:1	0.12	134	29	52	285	57	12.6	25.8	
80:1	0.08	109	22	45	314	63	12.6	25.8		
40	7.5:1	1.50	353	233	87	274	55	11.4	24.0	
	10:1	1.21	370	175	85	302	60	11.4	24.0	
	15:1	0.83	370	117	83	346	69	11.4	24.0	
	20:1	0.63	361	88	79	381	76	11.4	24.0	
	25:1	0.48	328	70	76	410	82	10.8	21.0	
	30:1	0.53	403	58	71	436	87	11.4	24.0	
	40:1	0.40	378	44	66	479	96	11.4	24.0	
	50:1	0.31	353	35	63	517	103	10.8	21.0	
	60:1	0.25	319	29	59	549	110	11.4	21.6	
80:1	0.18	277	22	53	604	121	11.4	21.6		
100:1	0.14	244	18	48	651	130	11.4	21.6		
50	7.5:1	2.72	647	233	88	377	75	8.4	19.2	
	10:1	2.12	664	175	87	415	83	8.4	1.2	
	15:1	1.52	681	117	83	475	95	8.4	19.2	
	20:1	1.14	656	88	80	522	104	6.6	17.4	
	25:1	0.86	597	70	77	563	113	7.2	17.4	
	30:1	0.94	740	58	73	598	120	8.4	19.2	
	40:1	0.70	689	44	68	658	132	6.6	17.4	
	50:1	0.56	647	35	64	709	142	7.2	17.4	
	60:1	0.47	605	29	60	753	151	6.6	16.2	
80:1	0.35	546	22	54	829	166	6.6	16.2		
100:1	0.26	462	18	50	893	179	6.6	16.2		
63	7.5:1	4.46	1076	233	89	492	98	7.8	17.4	
	10:1	3.52	1108	175	87	542	108	7.8	17.4	
	15:1	2.70	1236	117	85	620	124	7.8	17.4	
	20:1	2.06	1225	88	83	683	137	6.6	16.2	
	25:1	1.56	1124	70	80	736	147	6.6	13.8	
	30:1	1.64	1345	58	76	782	156	7.8	17.4	
	40:1	1.21	1261	44	72	860	172	6.6	16.2	
	50:1	0.99	1208	35	68	927	185	6.6	13.8	
	60:1	0.82	1135	29	64	985	197	6.0	13.8	
80:1	0.60	1027	22	59	1084	217	6.0	13.8		
100:1	0.51	992	18	54	1168	234	6.0	13.8		
75	7.5:1	6.44	1555	233	89	581	116	7.8	16.2	
	10:1	5.20	1656	175	88	640	128	7.8	16.2	
	15:1	4.07	1900	117	86	732	146	7.8	16.2	
	20:1	3.24	1953	88	84	806	161	6.6	14.4	
	25:1	2.43	1784	70	82	868	174	6.6	13.2	
	30:1	2.41	2028	58	78	923	185	7.8	16.2	
	40:1	1.90	2029	44	74	1015	203	6.6	14.4	
	50:1	1.47	1881	35	71	1094	219	6.6	13.2	
	60:1	1.22	1778	29	67	1162	232	6.0	12.6	
80:1	0.91	1632	22	62	1279	256	6.0	12.6		
100:1	0.74	1517	18	57	1378	276	6.0	12.6		
90	7.5:1	10.98	2682	233	90	643	129	7.2	14.4	
	10:1	8.92	2867	175	89	708	142	7.2	14.4	
	15:1	7.05	3330	117	87	810	162	7.2	14.4	
	20:1	5.33	3288	88	86	892	178	6.6	12.0	
	25:1	4.18	3145	70	84	961	192	6.0	11.4	
	30:1	4.21	3632	58	80	1021	204	7.2	14.4	
	40:1	3.01	3330	44	77	1123	225	6.6	12.0	
	50:1	2.36	3145	35	74	1210	242	6.0	11.4	
	60:1	1.93	2960	29	71	1286	257	5.4	10.8	
80:1	1.27	2397	22	65	1416	283	5.4	10.8		
100:1	1.03	2271	18	61	1525	305	5.4	10.8		

WORM GEAR REDUCERS
ALUMINUM

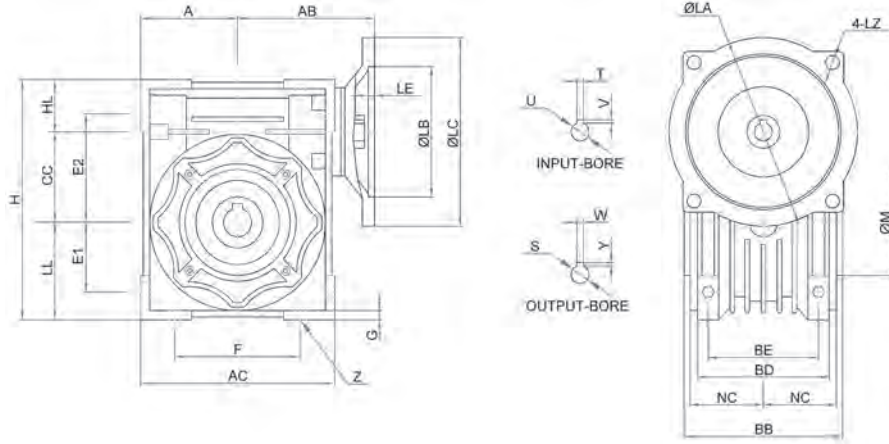


WORLDWIDE GEAR REDUCERS

Worm Gear Reducers

Aluminum Worm Gear Reducers

Dimensions



ALL DIMENSIONS IN MILLIMETERS

Box Size	NEMA Frame	A	AB	AC	BB	BD	BE	CC	E1	E2	F	G	H	HL	LL	M
30	56C	40	70	80	63	56	44	30	27	44	54	5.5	97	27	40	55
40	56C	50	86	101	78	71	60	40	35	55	70	6.6	121	31.5	50	60
50	56C	60	94	121	92	85	70	50	40	64	80	7	144	34	60	70
63	56C	72	105	146	112	103	85	63	50	80	100	8	174	39	72	80
	145TC	72	105	146	112	103	85	63	50	80	100	8	174	39	72	80
75	56C	86	126	174	120	112	90	75	60	93	120	10	205	45	86	95
	145TC	86	126	174	120	112	90	75	60	93	120	10	205	45	86	95
	182/4TC	86	126	174	120	112	90	75	60	93	120	10	205	45	86	95
90	56C	103	143	208	140	130	100	90	70	102	140	11	238	45	103	110
	145TC	103	143	208	140	130	100	90	70	102	140	11	238	45	103	110
	182/4TC	103	143	208	140	130	100	90	70	102	140	11	238	45	103	110

Box Size	NEMA Frame	NC	Z	INPUT BORE (inches)		OUTPUT BORE (inches)		FLANGE (inches)				
				U	T x V	S	W x Y	LA	LB	LC	LE	LZ
30	56C	29	6.6	0.625	3/16 x 3/32	0.625	3/16 x 3/32	5.875	4.5	5.787	0.177	0.413
40	56C	36.5	6.6	0.625	3/16 x 3/32	0.75	3/16 x 3/32	5.875	4.5	5.787	0.157	0.413
50	56C	43.5	8.4	0.625	3/16 x 3/32	1	1/4 x 7/64	5.875	4.5	5.787	0.157	0.413
63	56C	53	8.4	0.625	3/16 x 3/32	1.125	1/4 x 1/8	5.875	4.5	5.787	0.177	0.413
	145TC	53	8.4	0.875	3/16 x 3/32	1.125	1/4 x 1/8	5.875	4.5	5.787	0.177	0.413
75	56C	57	11	0.625	3/16 x 3/32	1.25	1/4 x 1/8	5.875	4.5	5.787	0.157	0.413
	145TC	57	11	0.875	3/16 x 3/32	1.25	1/4 x 1/8	5.875	4.5	5.787	0.157	0.413
	182/4TC	57	11	1.125	1/4 x 1/8	1.25	1/4 x 1/8	7.25	8.5	9	0.217	0.413
90	56C	67	13	0.625	3/16 x 3/32	1.375	5/16 x 9/64	5.875	4.5	5.787	0.157	0.413
	145TC	67	13	0.875	3/16 x 3/32	1.375	5/16 x 9/64	5.875	4.5	5.787	0.157	0.413
	182/4TC	67	13	1.125	1/4 x 1/8	1.375	5/16 x 9/64	7.25	8.5	9	0.217	0.413

Dimensions shown in this catalog are for general use only.
For an exact drawing on a specific rating, please contact our sales office.

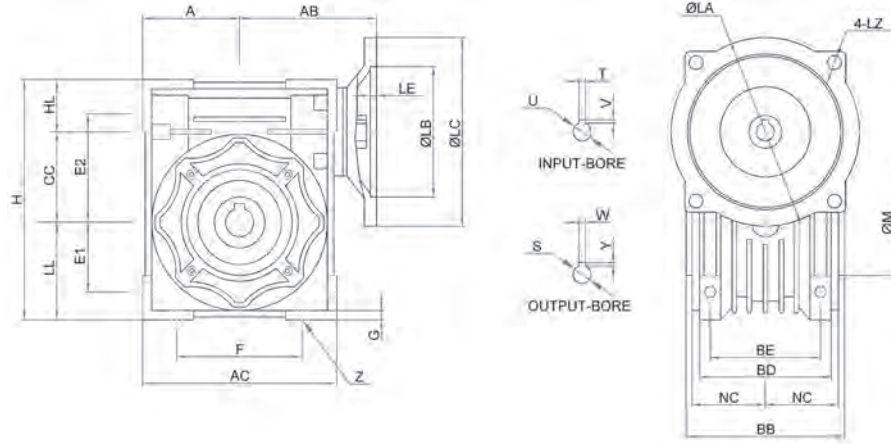


WORLDWIDE GEAR REDUCERS

Worm Gear Reducers

Aluminum Worm Gear Reducers

Competitor Dimensional Comparison - Motovario



ALL DIMENSIONS IN MILLIMETERS

Box Size	NEMA Frame	A	AB	AC	BB	BD	BE	CC	E1	E2	F	G	H	HL	LL	M
30	56C	40	67	80	63	56	44	30	27	44	54	5.5	97	27	40	55
40	56C	50	80	100	78	71	60	40	35	55	70	6.5	121.5	31.5	50	60
50	56C	60	90	120	92	85	70	50	40	64	80	7	144	34	60	70
63	56C	72	122	144	112	103	85	63	50	80	100	8	179	44	72	80
	145TC	72	122	144	112	103	85	63	50	80	100	8	179	44	72	80
75	56C	89	140	178	120	112	90	75	60	93	120	10	209	48	86	95
	145TC	89	140	178	120	112	90	75	60	93	120	10	209	48	86	95
	182/4TC	89	150	178	120	112	90	75	60	93	120	10	209	48	86	95
90	56C	103	158	206	140	130	100	90	70	102	140	11	247	54	103	110
	145TC	103	158	206	140	130	100	90	70	102	140	11	247	54	103	110
	182/4TC	103	168	206	140	130	100	90	70	102	140	11	247	54	103	110

Box Size	NEMA Frame	NC	Z	INPUT BORE (inches)		OUTPUT BORE (inches)		FLANGE (inches)				
				U	T x V	S	W x Y	LA	LB	LC	LE	LZ
30	56C	29	6.5	0.625	3/16 x 3/32	0.625	3/16 x 3/32	5.875	3	5.625	NL	0.413
40	56C	36.5	6.5	0.625	3/16 x 3/32	0.75	3/16 x 3/32	5.875	4.5	6.5	NL	0.413
50	56C	43.5	8.5	0.625	3/16 x 3/32	1	1/4 x 7/64	5.875	4.5	6.5	NL	0.413
63	56C	53	8.5	0.625	3/16 x 3/32	1.125	1/4 x 1/8	5.875	4.5	6.5	NL	0.413
	145TC	53	8.5	0.875	3/16 x 3/32	1.125	1/4 x 1/8	5.875	4.5	6.5	NL	0.413
75	56C	57	11	0.625	3/16 x 3/32	1.25	1/4 x 1/8	5.875	4.5	6.5	NL	0.413
	145TC	57	11	0.875	3/16 x 3/32	1.25	1/4 x 1/8	5.875	4.5	6.5	NL	0.413
	182/4TC	57	11	1.125	1/4 x 1/8	1.25	1/4 x 1/8	7.25	8.5	9	NL	0.413
90	56C	67	13	0.625	3/16 x 3/32	1.375	5/16 x 9/64	5.875	4.5	6.5	NL	0.413
	145TC	67	13	0.875	3/16 x 3/32	1.375	5/16 x 9/64	5.875	4.5	6.5	NL	0.413
	182/4TC	67	13	1.125	1/4 x 1/8	1.375	5/16 x 9/64	7.25	8.5	9	NL	0.413

Motovario® dimensional data was derived from their Catalog_VSF_Nema_WEB_3012012111322.
 Dark gray shaded cells indicate a dimensional difference. NL denotes ratings not listed.
 All dimensions are in millimeters unless denoted in inches.

WORM GEAR REDUCERS
ALUMINUM

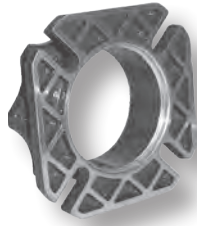


WORLDWIDE GEAR REDUCERS

Worm Gear Reducers

Aluminum Worm Gear Reducers

Accessories / Parts



Output Flanges

Box Size	Model Number	Alternate Model Number	List Price
30	CALM30-OPF	---	-
40	CALM40-OPF	HALM40-OPF	-
50	CALM50-OPF	HALM50-OPF	-
63	CALM63-OPF	---	-
75	CALM75-OPF	HALM75-OPF	-
90	CALM90-OPF	HALM90-OPF	-



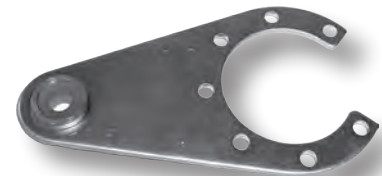
Output Covers

Box Size	Model Number	Alternate Model Number	List Price
30	CALM30-OPC	---	-
40	CALM40-OPC	HALM40-OPC	-
50	CALM50-OPC	---	-
63	CALM63-OPC	HALM63-OPC	-
75	CALM75-OPC	HALM75-OPC	-
90	CALM90-OPC	HALM90-OPC	-



Drain Plugs

Box Size	Model Number	List Price
30	PJK10W	-
40	PJK10W	-
50	PJK10W	-
63	PJK16W	-
75	PJK16W	-
90	PJK16W	-



Torque Arms

Box Size	Model Number	Alternate Model Number	List Price
30	CALM30-TA	---	-
40	CALM40-TA	HALM40-TA	-
50	CALM50-TA	HALM50-TA	-
63	CALM63-TA	HALM63-TA	-
75	CALM75-TA	HALM75-TA	-
90	CALM90-TA	HALM90-TA	-

Single Output Shafts



Box Size	Model Number	Alternate Model Number	List Price
30	CALM30-S	HALM30-S	-
40	CALM40-S	HALM40-S	-
50	CALM50-S	HALM50-S	-
63	CALM63-S	---	-
75	CALM75-S	HALM75-S	-
90	CALM90-S	HALM90-S	-

Double Output Shafts



Box Size	Model Number	Alternate Model Number	List Price
30	CALM30-DS	HALM30-DS	-
40	CALM40-DS	HALM40-DS	-
50	CALM50-DS	HALM50-DS	-
63	CALM63-DS	HALM63-DS	-
75	CALM75-DS	HALM75-DS	-
90	CALM90-DS	HALM90-DS	-

WORM GEAR REDUCERS
ALUMINUM



WORLDWIDE GEAR REDUCERS

Inline Helical Speed Reducers

Product Overview / Maximum Ratings



Product Overview

- 2:1 - 120:1 ratios (other ratios available as custom orders)
- Box sizes 37 - 147
- Horsepower range from 1/4 HP to 75 HP
- Built to German Institute for Standardization (DIN) for high efficiency, high strength and low noise
- All cast iron housings for unquestioned strength and reliability
- Gears are precision processed for better rotation and quieter operation
- Gearbox flanges are designed to accept NEMA C-face electric motors
- No coupling necessary
- Drop-in for most major European-produced inline reducer brands
- 2 year warranty

Box Size	Normal Ratio	Actual Ratio	Output RPM @ 1800 RPM Input	Input HP	Output Torque (lbs. in.)	O.H.L. (lbs.)	Motor Frame	Stages	Approx. Weight (lbs.)	Model Number	List Price
37	5:1	4.88	359	5.91	970	305	56C	2	31	WINL37-5/1-56C	-
	5:1	4.88	359	5.91	970	305	145TC	2	31	WINL37-5/1-145TC	-
	10:1	10.02	175	4.04	1360	388	56C	2	31	WINL37-10/1-56C	-
	10:1	10.02	175	4.04	1360	388	145TC	2	31	WINL37-10/1-145TC	-
	15:1	15.75	111	2.99	1580	451	56C	2	31	WINL37-15/1-56C	-
	15:1	15.75	111	2.99	1580	451	145TC	2	31	WINL37-15/1-145TC	-
	20:1	19.95	88	2.49	1670	489	56C	2	31	WINL37-20/1-56C	-
	20:1	19.95	88	2.49	1670	489	145TC	2	31	WINL37-20/1-145TC	-
	30:1	31.02	56	1.75	1770	565	56C	3	31	WINL37-30/1-56C	-
	30:1	31.02	56	1.75	1770	565	145TC	3	31	WINL37-30/1-145TC	-
	40:1	40.08	44	1.35	1770	615	56C	3	31	WINL37-40/1-56C	-
	50:1	52.24	33	1.04	1770	670	56C	3	31	WINL37-50/1-56C	-
60:1	60.84	29	0.89	1770	705	56C	3	31	WINL37-60/1-56C	-	
47	5:1	4.85	361	9.59	1565	440	145TC	2	50	WINL47-5/1-145TC	-
	5:1	4.85	361	9.59	1565	440	182/4TC	2	50	WINL47-5/1-182/4TC	-
	10:1	11.27	155	5.95	2255	590	182TC	2	50	WINL47-10/1-182TC	-
	15:1	15.18	115	4.87	2490	650	182/4TC	2	50	WINL47-15/1-182/4TC	-
	20:1	18.37	95	4.29	2650	690	145TC	2	50	WINL47-20/1-145TC	-
	20:1	18.37	95	4.29	2650	690	182/4TC	2	50	WINL47-20/1-182/4TC	-
	30:1	31.83	55	2.73	2830	835	145TC	3	50	WINL47-30/1-145TC	-
	30:1	31.83	55	2.73	2830	835	182/4TC	3	50	WINL47-30/1-182/4TC	-
	40:1	41.51	42	2.09	2830	910	56C	3	50	WINL47-40/1-56C	-
	50:1	52.84	33	1.64	2830	985	56C	3	50	WINL47-50/1-56C	-
60:1	63.37	28	1.37	2830	1050	56C	3	50	WINL47-60/1-56C	-	
RX57	3:1	3.19	549	4.04	447	133	182TC	1	44	WINL57-3/1-182TC	-
RX67	2:1	1.86	941	9.43	617	43	182/4TC	1	49	WINL67-2/1-182/4TC	-
	2.5:1	2.35	745	7.56	616	94	182/4TC	1	49	WINL67-2.5/1-182/4TC	-
	3.5:1	3.52	497	4.11	502	301	182TC	1	49	WINL67-3.5/1-182TC	-

INLINE HELICAL
SPEED REDUCERS



WORLDWIDE GEAR REDUCERS

Inline Helical Speed Reducers

Product Overview / Maximum Ratings



INLINE HELICAL SPEED REDUCERS

Box Size	Normal Ratio	Actual Ratio	Output RPM @ 1800 RPM Input	Input HP	Output Torque (lbs. in.)	O.H.L. (lbs.)	Motor Frame	Stages	Approx. Weight (lbs.)	Model Number	List Price
67	5:1	5.23	335	15.38	2710	710	145TC	2	73	WINL67-5/1-145TC	-
	5:1	5.23	335	15.38	2710	710	182/4TC	2	73	WINL67-5/1-182/4TC	-
	10:1	9.90	177	12.39	4130	880	182/4TC	2	73	WINL67-10/1-182/4TC	-
	15:1	15.41	114	9.23	4785	1020	145TC	2	73	WINL67-15/1-145TC	-
	15:1	15.41	114	9.23	4785	1020	182TC	2	73	WINL67-15/1-182TC	-
	20:1	22.90	76	6.87	4720	1165	182/4TC	3	73	WINL67-20/1-182/4TC	-
	30:1	32.02	55	4.83	5045	1305	145TC	3	73	WINL67-30/1-145TC	-
	40:1	41.22	42	3.75	5045	1420	145TC	3	73	WINL67-40/1-145TC	-
	50:1	52.21	34	2.96	5045	1480	145TC	3	73	WINL67-50/1-145TC	-
	60:1	63.07	28	2.45	5045	1480	56C	3	73	WINL67-60/1-56C	-
	80:1	78.59	22	1.97	5045	1480	56C	3	73	WINL67-80/1-56C	-
	100:1	98.69	18	1.57	5045	1480	56C	3	73	WINL67-100/1-56C	-
120:1	125.28	14	1.23	5045	1480	56C	3	73	WINL67-120/1-56C	-	
RX77	4:1	4.19	418	6.16	895	474	182TC	1	71	WINL77-4/1-182TC	-
77	5:1	4.78	366	25.13	4040	785	182/4TC	2	83	WINL77-5/1-182/4TC	-
	5:1	4.78	366	25.13	4040	785	213TC	2	83	WINL77-5/1-213TC	-
	10:1	10.91	160	16.89	6205	1035	213TC	2	83	WINL77-10/1-213TC	-
	15:1	14.83	118	12.35	6165	1145	182/4TC	2	83	WINL77-15/1-182/4TC	-
	20:1	23.31	75	7.84	6150	1330	182TC	2	83	WINL77-20/1-182TC	-
	25:1	25.27	69	8.05	6640	1365	182/4TC	3	83	WINL77-25/1-182/4TC	-
	30:1	31.97	55	6.36	6640	1480	182/4TC	3	83	WINL77-30/1-182/4TC	-
	40:1	39.31	45	5.49	6640	1555	182/4TC	3	83	WINL77-40/1-182/4TC	-
	50:1	53.24	33	3.82	6640	1755	145TC	3	83	WINL77-50/1-145TC	-
	60:1	57.73	30	3.52	6640	1800	145TC	3	83	WINL77-60/1-145TC	-
	80:1	84.62	21	2.40	6640	1935	145TC	3	83	WINL77-80/1-145TC	-
	100:1	89.80	19	2.26	6640	1935	145TC	3	83	WINL77-100/1-145TC	-
120:1	124.34	14	1.64	6640	1935	56C	3	83	WINL77-120/1-56C	-	
RX87	2:1	2.04	858	26.27	1859	123	213/5TC	1	124	WINL87-2/1-213/5TC	-
	2:1	2.04	858	26.27	1859	123	254/6TC	1	159	WINL87-2/1-254/6TC	-
	2.5:1	2.52	694	20.25	1770	254	213/5TC	1	124	WINL87-2.5/1-213/5TC	-
	2.5:1	2.52	694	20.25	1770	254	254/6TC	1	159	WINL87-2.5/1-254/6TC	-
	3:1	3.19	549	14.40	1593	497	213/5TC	1	124	WINL87-3/1-213/5TC	-
	3.5:1	3.54	494	12.83	1575	573	213/5TC	1	124	WINL87-3.5/1-213/5TC	-
	4:1	3.77	464	11.51	1505	690	213/5TC	1	124	WINL87-4/1-213/5TC	-
	4.5:1	4.43	395	6.91	1062	942	182/4TC	1	106	WINL87-4.5/1-182/4TC	-
87	5:1	4.73	370	38.49	6120	1800	213/5TC	2	160	WINL87-5/1-213/5TC	-
	5:1	4.73	370	38.49	6120	1800	254TC	2	160	WINL87-5/1-254TC	-
	10:1	10.66	164	27.28	9790	2375	213/5TC	2	160	WINL87-10/1-213/5TC	-
	10:1	10.66	164	27.28	9790	2375	254TC	2	160	WINL87-10/1-254TC	-
	15:1	15.29	114	21.45	11040	2680	182/4TC	2	160	WINL87-15/1-182/4TC	-
	15:1	15.29	114	21.45	11040	2680	213/5TC	2	160	WINL87-15/1-213/5TC	-
	20:1	20.06	87	15.13	9915	2925	182/4TC	3	160	WINL87-20/1-182/4TC	-
	20:1	20.06	87	15.13	9915	2925	213/5TC	3	160	WINL87-20/1-213/5TC	-
	30:1	31.73	55	11.15	11550	3010	182/4TC	3	160	WINL87-30/1-182/4TC	-
	40:1	38.20	46	11.36	14170	3010	182/4TC	3	160	WINL87-40/1-182/4TC	-
	50:1	49.16	36	8.83	14170	3010	145TC	3	160	WINL87-50/1-145TC	-
	50:1	49.16	36	8.83	14170	3010	182/4TC	3	160	WINL87-50/1-182/4TC	-
60:1	61.54	28	7.05	14170	3010	145TC	3	160	WINL87-60/1-145TC	-	



WORLDWIDE GEAR REDUCERS

Inline Helical Speed Reducers

Product Overview / Maximum Ratings



Box Size	Normal Ratio	Actual Ratio	Output RPM @ 1800 RPM Input	Input HP	Output Torque (lbs. in.)	O.H.L. (lbs.)	Motor Frame	Stages	Approx. Weight (lbs.)	Model Number	List Price
87	60:1	61.54	28	7.05	14170	3010	182/4TC	3	160	WINL87-60/1-182/4TC	-
	80:1	87.27	20	4.97	14170	3010	145TC	3	160	WINL87-80/1-145TC	-
	80:1	87.27	20	4.97	14170	3010	182/4TC	3	160	WINL87-80/1-182/4TC	-
	110:1	112.52	16	3.86	14170	3010	145TC	3	160	WINL87-110/1-145TC	-
	120:1	122.17	14	3.55	14170	3010	145TC	3	160	WINL87-120/1-145TC	-
	180:1	179.70	10	2.41	14170	3010	145TC	3	160	WINL87-180/1-145TC	-
	RX97	2:1	2.12	825	51.93	3819	152	284/6TC	1	214	WINL97-2/1-284/6TC
2.5:1		2.68	653	43.8	4071	288	284/6TC	1	214	WINL97-2.5/1-284/6TC	-
3:1		3.07	570	38.23	4071	506	254/6TC	1	214	WINL97-3/1-254/6TC	-
3.5:1		3.48	503	33.72	4070	609	254/6TC	1	214	WINL97-3.5/1-254/6TC	-
3.5:1		3.48	503	33.72	4070	609	284/6TC	1	214	WINL97-3.5/1-284/6TC	-
4:1		3.81	459	30.79	4069	946	284/6TC	1	214	WINL97-4/1-284/6TC	-
4.5:1		4.42	396	18.4	2821	1322	213/5TC	1	174	WINL97-4.5/1-213/5TC	-
97	5:1	5.42	323	68.89	13010	1980	254/6TC	2	244	WINL97-5/1-254/6TC	-
	5:1	5.42	323	68.89	13010	1980	284/6TC	2	244	WINL97-5/1-284/6TC	-
	10:1	10.00	175	55.84	19450	2430	284/6TC	2	244	WINL97-10/1-284/6TC	-
	15:1	16.96	103	39.04	23055	2900	213/5TC	2	244	WINL97-15/1-213/5TC	-
	15:1	16.96	103	39.04	23055	2900	254/6TC	2	244	WINL97-15/1-254/6TC	-
	15:1	16.96	103	39.04	23055	2900	284/6TC	2	244	WINL97-15/1-284/6TC	-
	20:1	21.23	82	31.46	23265	3125	254/6TC	2	244	WINL97-20/1-254/6TC	-
	30:1	28.98	60	23.23	22750	3465	213/5TC	3	244	WINL97-30/1-213/5TC	-
	30:1	28.98	60	23.23	22750	3465	254TC	3	244	WINL97-30/1-254TC	-
	40:1	44.57	39	17.05	25670	4000	213/5TC	3	244	WINL97-40/1-213/5TC	-
	50:1	51.10	34	15.66	27030	4080	213/5TC	3	244	WINL97-50/1-213/5TC	-
	60:1	59.52	34	13.44	27030	4080	213/5TC	3	244	WINL97-60/1-213/5TC	-
	80:1	82.59	21	9.69	27030	4080	182/4TC	3	244	WINL97-80/1-182/4TC	-
	80:1	82.59	21	9.69	27030	4080	213TC	3	244	WINL97-80/1-213TC	-
100:1	97.76	18	8.18	27030	4080	182/4TC	3	244	WINL97-100/1-182/4TC	-	
120:1	127.61	14	6.27	27030	4080	182/4TC	3	244	WINL97-120/1-182/4TC	-	
RX107	3:1	3.12	561	52.34	5664	605	284/6TC	1	286	WINL107-3/1-284/6TC	-
	4:1	4.13	424	32.13	4602	1205	254/6TC	1	286	WINL107-4/1-254/6TC	-
107	5:1	4.50	389	66	9710	2110	213/5TC	2	411	WINL107-5/1-213/5TC	-
	5:1	4.50	389	66	9710	2110	254/6TC	2	411	WINL107-5/1-254/6TC	-
	5:1	4.50	389	66	9710	2110	284/6TC	2	411	WINL107-5/1-284/6TC	-
	5:1	4.50	389	66	9710	2110	324/6TC	2	411	WINL107-5/1-324/6TC	-
	10:1	10.44	168	57	21523	2581	324/6TC	2	411	WINL107-10/1-324/6TC	-
	15:1	14.38	122	34	15991	3076	213/5TC	2	411	WINL107-15/1-213/5TC	-
	15:1	14.38	122	34	15991	3076	254/6TC	2	411	WINL107-15/1-254/6TC	-
	20:1	21.79	86	42	28447	3054	284/6TC	3	411	WINL107-20/1-284/6TC	-
	20:1	21.79	86	42	28447	3054	324TC	3	411	WINL107-20/1-324TC	-
	30:1	29.23	60	31	29000	3502	284/6TC	3	411	WINL107-30/1-284/6TC	-
	40:1	39.52	44	25.5	32667	3951	254/6TC	3	411	WINL107-40/1-254/6TC	-
	50:1	53.00	33	20	35053	4422	213/5TC	3	411	WINL107-50/1-213/5TC	-
	50:1	53.00	33	20	35053	4422	254/6TC	3	411	WINL107-50/1-254/6TC	-
	60:1	62.90	28	16	31277	4794	213/5TC	3	411	WINL107-60/1-213/5TC	-
	60:1	62.90	28	16	31277	4794	254TC	3	411	WINL107-60/1-254TC	-
	80:1	79.95	22	12.5	31059	5309	213/5TC	3	411	WINL107-80/1-213/5TC	-
	120:1	115.50	15	10.5	40102	5938	213/5TC	3	411	WINL107-120/1-213/5TC	-

**INLINE HELICAL
SPEED REDUCERS**



WORLDWIDE GEAR REDUCERS

Inline Helical Speed Reducers

Product Overview / Maximum Ratings



INLINE HELICAL
SPEED REDUCERS

Box Size	Normal Ratio	Actual Ratio	Output RPM @ 1800 RPM Input	Input HP	Output Torque (lbs. in.)	O.H.L. (lbs.)	Motor Frame	Stages	Approx. Weight (lbs.)	Model Number	List Price
137	5:1	4.87	360	98	16262	2716	254/6TC	2	619	WINL137-5/1-254/6TC	-
	5:1	4.87	360	98	16262	2716	284/6TC	2	619	WINL137-5/1-284/6TC	-
	5:1	4.87	360	98	16262	2716	324/6TC	2	619	WINL137-5/1-324/6TC	-
	5:1	4.87	360	98	16262	2716	364/5TC	2	619	WINL137-5/1-364/5TC	-
	10:1	10.12	173	93	32100	3266	364/5TC	2	619	WINL137-10/1-364/5TC	-
	15:1	14.60	120	91	43944	3210	284/6TC	3	619	WINL137-15/1-284/6TC	-
	15:1	14.60	120	91	43944	3210	324/6TC	3	619	WINL137-15/1-324/6TC	-
	15:1	14.60	120	91	43944	3210	364/5TC	3	619	WINL137-15/1-364/5TC	-
	20:1	20.68	85	77	52676	3491	364/5TC	3	619	WINL137-20/1-364/5TC	-
	30:1	32.81	53	52.5	56992	4467	324/6TC	3	619	WINL137-30/1-324/6TC	-
	40:1	43.25	40	41	58670	5017	284/6TC	3	619	WINL137-40/1-284/6TC	-
	40:1	43.25	40	41	58670	5017	324TC	3	619	WINL137-40/1-324TC	-
	50:1	50.13	35	32	53076	5545	254/6TC	3	619	WINL137-50/1-254/6TC	-
	50:1	50.13	35	32	53076	5545	284/6TC	3	619	WINL137-50/1-284/6TC	-
	60:1	59.14	30	25	48891	6331	254/6TC	3	619	WINL137-60/1-254/6TC	-
	80:1	79.05	22	20	52281	6802	254/6TC	3	619	WINL137-80/1-254/6TC	-
120:1	117.25	15	15	57847	7835	254TC	3	619	WINL137-120/1-254TC	-	
147	4:1	4.16	421	396	54680	5280	405TC	2	915	WINL147-4/1-405TC	-
	5:1	5.00	350	342	57285	5700	284/6TC	2	915	WINL147-5/1-284/6TC	-
	5:1	5.00	350	342	57285	5700	324/6TC	2	915	WINL147-5/1-324/6TC	-
	5:1	5.00	350	342	57285	5700	364/5TC	2	915	WINL147-5/1-364/5TC	-
	5:1	5.00	350	342	57285	5700	405TC	2	915	WINL147-5/1-405TC	-
	10:1	10.24	171	200	68570	7200	405TC	2	915	WINL147-10/1-405TC	-
	15:1	15.62	112	150	73700	8300	324/6TC	2	915	WINL147-15/1-324/6TC	-
	15:1	15.62	112	150	73700	8300	364/5TC	2	915	WINL147-15/1-364/5TC	-
	15:1	15.62	112	150	73700	8300	405TC	2	915	WINL147-15/1-405TC	-
	20:1	19.99	88	117.9	76380	9020	364/5TC	3	915	WINL147-20/1-364/5TC	-
	30:1	30.23	58	84.5	83311	10340	324/6TC	3	915	WINL147-30/1-324/6TC	-
	30:1	30.23	58	84.5	83311	10340	364/5TC	3	915	WINL147-30/1-364/5TC	-
	40:1	41.70	42	61.3	83309	11550	284/6TC	3	915	WINL147-40/1-284/6TC	-
	40:1	41.70	42	61.3	83309	11550	324/6TC	3	915	WINL147-40/1-324/6TC	-
	50:1	50.49	35	50.6	83307	12320	254/6TC	3	915	WINL147-50/1-254/6TC	-
	50:1	50.49	35	50.6	83307	12320	284/6TC	3	915	WINL147-50/1-284/6TC	-
60:1	60.38	29	42.3	83306	13090	254/6TC	3	915	WINL147-60/1-254/6TC	-	
60:1	60.38	29	42.3	83306	13090	324TC	3	915	WINL147-60/1-324TC	-	
80:1	83.30	21	30.7	83304	13640	254/6TC	3	915	WINL147-80/1-254/6TC	-	
80:1	83.30	21	30.7	83304	13640	284/6TC	3	915	WINL147-80/1-284/6TC	-	
120:1	117.29	15	21	83300	13640	254/6TC	3	915	WINL147-120/1-254/6TC	-	



WORLDWIDE GEAR REDUCERS

Inline Helical Speed Reducers

Mechanical Ratings



Box Size	Normal Ratio	Actual Ratio	Output RPM	Input HP	Output Torque (lbs. in.)	O.H.L. (lbs.)	Stages	56C		143/145TC		182TC		184TC		213TC		215TC		254TC		256TC		
								HP	T	HP	T	HP	T	HP	T	HP	T	HP	T	HP	T	HP	T	
37	5:1	4.88	359	5.91	970	305	2	1.0	165	2.0	330													
	10:1	10.02	175	4.04	1360	388	2	1.0	340	2.0	680													
	15:1	15.75	111	2.99	1580	451	2	1.0	535	2.0	1070													
	20:1	19.95	88	2.49	1670	489	2	1.0	680	2.0	1355													
	30:1	31.02	56	1.75	1770	565	3	1.0	1025	2.0	2130													
	40:1	40.08	44	1.35	1770	615	3	1.0	1325															
	50:1	52.24	33	1.04	1770	670	3	1.0	1725															
60:1	60.84	29	0.89	1770	705	3	0.89	1770																
47	5:1	4.85	361	9.59	1565	440	2			2.0	330	3.0	495	5.0	825									
	10:1	11.27	155	5.95	2255	590	2					3.0	1150											
	15:1	15.18	115	4.87	2490	650	2					3.0	1555											
	20:1	18.37	95	4.29	2650	690	2			2.0	1250	3.0	1880											
	30:1	31.83	55	2.73	2830	835	3			2.0	2105	3.0	3250											
	40:1	41.51	42	2.09	2830	910	3	1.0	1370															
	50:1	52.84	33	1.64	2830	985	3	1.0	1740															
60:1	63.37	28	1.37	2830	1050	3	1.0	2095																
RX57	3:1	3.19	549	4.04	447	133	1					3.0	336											
RX67	2:1	1.86	941	9.43	617	43	1					3.0	196	5.0	327									
	2.5:1	2.35	745	7.56	616	94	1					3.0	248	5.0	413									
	3.5:1	3.52	497	4.11	502	301	1					3.0	371											
67	5:1	5.23	335	15.38	2710	710	2			2.0	355	3.0	535	5.0	890									
	10:1	9.90	177	12.39	4130	880	2					3.0	1010	5.0	1685									
	15:1	15.41	114	9.23	4785	1020	2			2.0	1050	3.0	1575											
	20:1	22.90	76	6.87	4720	1165	3					3.0	2270	5.0	3785									
	30:1	32.02	55	4.83	5045	1305	3					2.0	2115											
	40:1	41.22	42	3.75	5045	1420	3					2.0	2725											
	50:1	52.21	34	2.96	5045	1480	3					2.0	3400											
	60:1	63.07	28	2.45	5045	1480	3	1.0	2085															
	80:1	78.59	22	1.97	5045	1480	3	1.0	2590															
	100:1	98.69	18	1.57	5045	1480	3	1.0	3260															
120:1	125.28	14	1.23	5045	1480	3	1.0	4140																
RX77	4:1	4.19	418	6.16	895	474	1					3.0	442											
77	5:1	4.78	366	25.13	4040	785	2					3.0	485	5.0	815	7.5	1220							
	10:1	10.91	160	16.89	6205	1035	2									7.5	2795							
	15:1	14.83	118	12.35	6165	1145	2					3.0	1515											
	20:1	23.31	75	7.84	6150	1330	2					3.0	2385											
	25:1	25.27	69	8.04	6640	1365	3					3.0	2515	5.0	4190									
	30:1	31.97	55	6.36	6640	1480	3					3.0	3155											
	40:1	39.31	45	5.49	6640	1555	3					3.0	3855											
	50:1	53.24	33	3.82	6640	1755	3					2.0	3505											
	60:1	57.73	30	3.52	6640	1800	3					2.0	3855											
	80:1	84.62	21	2.40	6640	1935	3					2.0	5510											
	100:1	89.80	19	2.26	6640	1935	3					2.0	6090											
120:1	124.34	14	1.64	6640	1935	3	1.0	4130																
RX87	2:1	2.04	858	26.27	1859	123	1									7.5	538	10	717	15	1075	20	1434	
	2.5:1	2.52	694	20.25	1770	254	1									7.5	664	10	886	15	1328	20	1771	
	3:1	3.19	549	14.4	1593	497	1									7.5	841	10	1121					
	3.5:1	3.54	494	12.83	1575	573	1									7.5	993	10	1244					
	4:1	3.77	464	11.51	1505	690	1									7.5	994	10	1325					
	4.5:1	4.43	395	6.91	1062	942	1						3.0	467	5.0	778								
87	5:1	4.73	370	38.49	6120	1800	2									7.5	1205	10	1610	15	2415			
	10:1	10.66	164	27.28	9790	2375	2									7.5	2725	10	3635	15	3455			
	15:1	15.29	114	21.45	11040	2680	2									7.5	3925	10	5230					
	20:1	20.06	87	15.13	9915	2925	3					3.0	1995	5.0	3325	7.5	4985	10	6650					
	30:1	31.73	55	11.15	11550	3010	3					3.0	3155	5.0	5260									
	40:1	38.20	46	11.36	14170	3010	3					3.0	3770	5.0	6290									
	50:1	49.16	36	8.83	14170	3010	3					2.0	3215	3.0	4820	5.0	8035							
	60:1	61.54	28	7.05	14170	3010	3					2.0	4130	3.0	6200	5.0	10330							
	80:1	87.27	20	4.97	14170	3010	3					2.0	5785	3.0	8680									
	100:1	112.52	16	3.86	14170	3010	3					2.0	7230											
	120:1	122.17	14	3.55	14170	3010	3					2.0	8265											
	180:1	179.70	10	2.41	14170	3010	3					2.0	11574											

**INLINE HELICAL
SPEED REDUCERS**



WORLDWIDE GEAR REDUCERS

Inline Helical Speed Reducers

Mechanical Ratings



INLINE HELICAL
SPEED REDUCERS

Box Size	Normal Ratio	Actual Ratio	Output RPM	Input HP	Output Torque (lbs. in.)	O.H.L. (lbs.)	Stages	56C		143/145TC		182TC		184TC		213TC		215TC		254TC		256TC		
								HP	T	HP	+T	HP	T	HP	T	HP	T	HP	T	HP	T	HP	T	
RX97	2:1	2.12	825	51.93	3819	152	1																	
	2.5:1	2.68	653	43.80	4071	288	1																	
	3:1	3.07	570	38.23	4071	506	1													15	1618	20	2158	
	3.5:1	3.48	503	33.72	4070	609	1													15	1835	20	2446	
	4:1	3.81	459	30.79	4069	946	1																	
	4.5:1	4.42	396	18.4	2821	1322	1								7.5	1165	10	1553						
97	5:1	5.42	323	68.89	13010	1980	2												15	2770	20	3690		
	10:1	10.00	175	55.84	19450	2430	2																	
	15:1	16.96	103	39.04	23055	2900	2							7.5	4340	10	5790	15	8685	20	11580			
	20:1	21.23	82	31.46	23265	3125	2												15	10910	20	14450		
	30:1	28.98	60	23.23	22750	3465	3							7.5	7230	10	9645	15	14465					
	40:1	44.57	39	17.05	25670	4000	3																	
	50:1	51.10	34	15.66	27030	4080	3																	
	60:1	59.52	34	13.44	27030	4080	3																	
	80:1	82.59	21	9.69	27030	4080	3				3.0	8265	5.0	13775										
	100:1	97.76	18	8.18	27030	4080	3				3.0	9645	5.0	16070										
	120:1	127.61	14	6.27	27030	4080	3				3.0	12400	5.0	20665										
	RX107	3:1	3.12	561	52.34	5664	605	1																
4:1		4.13	424	32.13	4602	1205	1													15	2177	20	2903	
107	5:1	4.50	389	66	9710	2110	2									7.5	1150	10	1533	15	2300	20	3066	
	10:1	10.44	168	57	21523	2581	2																	
	15:1	14.38	122	34	15991	3076	2									7.5	3676	10	4901	15	7352	20	9802	
	20:1	21.79	86	42	28447	3054	3																	
	30:1	29.23	60	31	29000	3502	3																	
	40:1	39.52	44	25.5	32667	3951	3													15	19600	20	26134	
	50:1	53.00	33	20	35053	4422	3									7.5	13145	10	17526	15	26289	20	35053	
	60:1	62.90	28	16	31277	4794	3																	
	80:1	79.95	22	12.5	31059	5309	3																	
	120:1	115.50	15	10.5	40102	5938	3																	
	137	5:1	4.87	360	98	16262	2716	2													15	2488	20	3317
		10:1	10.12	173	93	32100	3266	2																
15:1		14.60	120	91	43944	3210	3																	
20:1		20.68	85	77	52676	3491	3																	
30:1		32.81	53	52.5	56992	4467	3																	
40:1		43.25	40	41	58670	5017	3																	
50:1		50.13	35	32	53076	5545	3																	
60:1		59.14	30	25	48891	6331	3													15	24734	20	33156	
80:1		79.05	22	20	52281	6802	3													15	29178	20	39113	
120:1		117.25	15	15	57847	7835	3													15	39002	20	52281	
147		4:1	4.16	421	396	54680	5280	2																
		5:1	5.00	350	342	57285	5700	2																
	10:1	10.24	171	200	68570	7200	2																	
	15:1	15.62	112	150	73700	8300	2																	
	20:1	19.99	88	117.9	76380	9020	3																	
	30:1	30.23	58	84.5	83311	10340	3																	
	40:1	41.70	42	61.3	83309	11550	3																	
	50:1	50.49	35	50.6	83307	12320	3																	
	60:1	60.38	29	42.3	83306	13090	3																	
	80:1	83.30	21	30.7	83304	13640	3																	
	120:1	117.29	15	21	83300	13640	3																	



WORLDWIDE GEAR REDUCERS

Inline Helical Speed Reducers

Mechanical Ratings



Box Size	Normal Ratio	Actual Ratio	Output RPM	Input HP	Output Torque (lbs. in.)	O.H.L. (lbs.)	Stages	284TC		286TC		324TC		326TC		364TC		365TC		405TC		
								HP	T	HP	T	HP	T	HP	T	HP	T	HP	T	HP	T	HP
RX97	2:1	2.12	825	51.93	3819	152	1	25	1863	30	2235											
	2.5:1	2.68	653	43.8	4071	288	1	25	2355	30	2826											
	3:1	3.07	570	38.23	4071	506	1															
	3.5:1	3.48	503	33.72	4070	609	1	25	3058	30	3669											
	4:1	3.81	459	30.79	4069	946	1	25	3347	30	4017											
	4.5:1	4.42	396	18.4	2821	1322	1															
97	5:1	5.42	323	68.89	13010	1980	2	25	4615	30	5540											
	10:1	10.00	175	55.84	19450	2430	2	25	8520	30	10225											
	15:1	16.96	103	39.04	23055	2900	2	25	14480	30	17375											
	20:1	21.23	82	31.46	23265	3125	2															
	30:1	28.98	60	23.23	22750	3465	3															
	40:1	44.57	39	17.05	25670	4000	3															
	50:1	51.10	34	15.66	27030	4080	3															
	60:1	59.52	34	13.44	27030	4080	3															
	80:1	82.59	21	9.69	27030	4080	3															
	100:1	97.76	18	8.18	27030	4080	3															
120:1	127.61	14	6.27	27030	4080	3																
RX107	3:1	3.12	561	52.34	5664	605	1	25	2741	30	3289											
	4:1	4.13	424	32.13	4602	1205	1															
107	5:1	4.50	389	66	9710	2110	2	25	3833	30	4599	40	6132	50	7665							
	10:1	10.44	168	57	21523	2581	2					40	14240	50	17800							
	15:1	14.38	122	34	15991	3076	2															
	20:1	21.79	86	42	28447	3054	3	25	16726	30	20072	40	26762									
	30:1	29.23	60	31	29000	3502	3	25	24164	30	28997											
	40:1	39.52	44	25.5	32667	3951	3															
	50:1	53.00	33	20	35053	4422	3															
	60:1	62.90	28	16	31277	4794	3															
	80:1	79.95	22	12.5	31059	5309	3															
	120:1	115.50	15	10.5	40102	5938	3															
137	5:1	4.87	360	98	16262	2716	2	25	4147	30	4976	40	6634	50	8293	60	9952	75	12440			
	10:1	10.12	173	93	32100	3266	2									60	20699	75	25874			
	15:1	14.60	120	91	43944	3210	3	25	12066	30	14480	40	19306	50	24133	60	28959	75	36199			
	20:1	20.68	85	77	52676	3491	3									60	41026	75	51282			
	30:1	32.81	53	52.5	56992	4467	3						40	43401	50	54251						
	40:1	43.25	40	41	58670	5017	3	25	35756	30	42908	40	57210									
	50:1	50.13	35	32	53076	5545	3	25	41445	30	49734											
	60:1	59.14	30	25	48891	6331	3															
	80:1	79.05	22	20	52281	6802	3															
	120:1	117.25	15	15	57847	7835	3															
147	4:1	4.16	421	396	54680	5280	2													100	14171	
	5:1	5.00	350	342	57285	5700	2	25	4621	30	5113	40	6818	50	8522	60	10227	75	12784	100	17045	
	10:1	10.24	171	200	68570	7200	2													100	34900	
	15:1	15.62	112	150	73700	8300	2					40	21295	50	26619	60	31943	75	39928	100	53238	
	20:1	19.99	88	117.9	76380	9020	3									60	39662	75	49578			
	30:1	30.23	58	84.5	83311	10340	3					40	39980	50	49975	60	59970	75	74962			
	40:1	41.70	42	61.3	83309	11550	3	25	34469	30	41362	40	55150	50	68937							
	50:1	50.49	35	50.6	83307	12320	3	25	41740	30	50088											
	60:1	60.38	29	42.3	83306	13090	3					40	79869									
	80:1	83.30	21	30.7	83304	13640	3	25	68859	30	82631											
120:1	117.29	15	21	83300	13640	3																

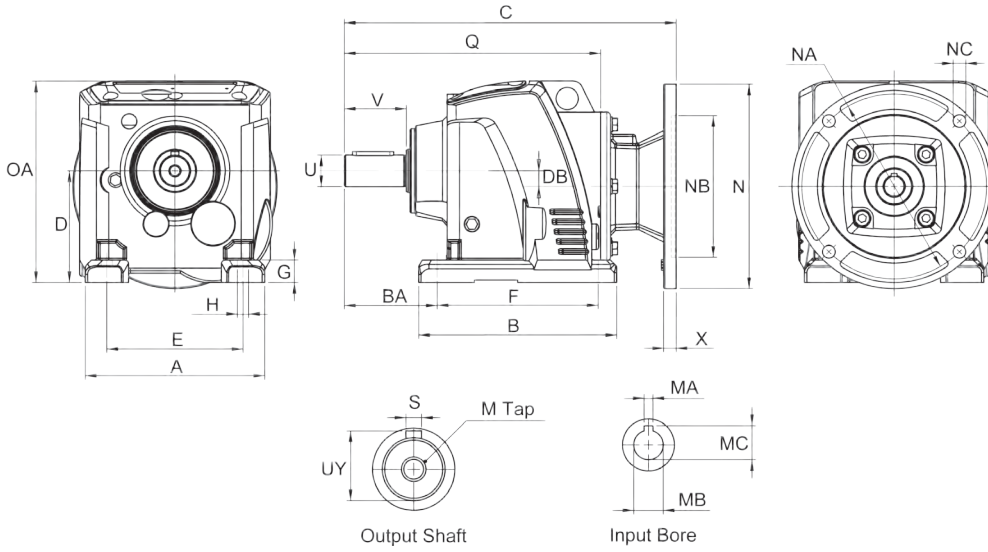
**INLINE HELICAL
SPEED REDUCERS**



WORLDWIDE GEAR REDUCERS

Inline Helical Speed Reducers

Dimensions



ALL DIMENSIONS IN INCHES

Box Size	NEMA Frame	A	B	BA	C	D	DB	E	F	G	H	M (UNC)	MA
37	56C	5.71	6.3	2.95	10.55	3.54	0.49	4.33	5.12	0.71	0.35	3/8-16	0.19
	145TC	5.71	6.3	2.95	10.94	3.54	0.49	4.33	5.12	0.71	0.35	3/8-16	0.19
47	56C	6.69	7.68	3.54	11.63	4.53	0.55	5.31	6.5	0.94	0.55	1/2-13	0.19
	145TC	6.69	7.68	3.54	12.03	4.53	0.55	5.31	6.5	0.94	0.55	1/2-13	0.19
	182/4TC	6.69	7.68	3.54	12.76	4.53	0.55	5.31	6.5	0.94	0.55	1/2-13	0.25
67	56C	8.27	9.25	3.94	13.13	5.12	0.67	5.91	7.68	1.26	0.55	1/2-13	0.19
	145TC	8.27	9.25	3.94	13.52	5.12	0.67	5.91	7.68	1.26	0.55	1/2-13	0.19
	182/4TC	8.27	9.25	3.94	14.25	5.12	0.67	5.91	7.68	1.26	0.55	1/2-13	0.25
77	56C	9.06	9.65	4.53	14.23	5.51	0.61	6.69	8.07	1.18	0.71	5/8-11	0.19
	145TC	9.06	9.65	4.53	14.23	5.51	0.61	6.69	8.07	1.18	0.71	5/8-11	0.19
	182/4TC	9.06	9.65	4.53	14.96	5.51	0.61	6.69	8.07	1.18	0.71	5/8-11	0.25
	213/5TC	9.06	9.65	4.53	17.22	5.51	0.61	6.69	8.07	1.18	0.71	5/8-11	0.31
87	145TC	11.42	12.2	5.51	17.2	7.09	0.71	8.46	10.24	1.77	0.71	3/4-10	0.19
	182/4TC	11.42	12.2	5.51	17.33	7.09	0.71	8.46	10.24	1.77	0.71	3/4-10	0.25
	213/5TC	11.42	12.2	5.51	19.59	7.09	0.71	8.46	10.24	1.77	0.71	3/4-10	0.31
97	182/4TC	13.39	14.37	6.3	19.84	8.86	0.81	9.84	12.2	2.17	0.87	3/4-11	0.25
	213/5TC	13.39	14.37	6.3	21.95	8.86	0.81	9.84	12.2	2.17	0.87	3/4-11	0.31
	254/6TC	13.39	14.37	6.3	22.93	8.86	0.81	9.84	12.2	2.17	0.87	3/4-11	0.38
	284/6TC	13.39	14.37	6.3	23.29	8.86	0.81	9.84	12.2	2.17	0.87	3/4-11	0.5
107	213/5TC	15.75	15.94	7.28	23.74	9.84	0.91	11.42	17.32	2.56	1.02	3/4-10	0.31
	254/6TC	15.75	15.94	7.28	24.72	9.84	0.91	11.42	17.32	2.56	1.02	3/4-10	0.38
	284/6TC	15.75	15.94	7.28	25.08	9.84	0.91	11.42	17.32	2.56	1.02	3/4-10	0.5
	324/6TC	15.75	15.94	7.28	26.3	9.84	0.91	11.42	17.32	2.56	1.02	3/4-10	0.5
137	254/6TC	17.72	17.72	8.66	28.07	12.4	1.38	13.39	19.29	2.76	1.3	1-8	0.38
	284/6TC	17.72	17.72	8.66	28.39	12.4	1.38	13.39	19.29	2.76	1.3	1-8	0.5
	324/6TC	17.72	17.72	8.66	29.61	12.4	1.38	13.39	19.29	2.76	1.3	1-8	0.5
	364/5TC	17.72	17.72	8.66	30.67	12.4	1.38	13.39	19.29	2.76	1.3	1-8	0.63
147	254/6TC	20.87	23.23	10.24	31.89	13.98	2.05	14.96	19.69	3.15	1.54	1-8	0.38
	284/6TC	20.87	23.23	10.24	32.2	13.98	2.05	14.96	19.69	3.15	1.54	1-8	0.5
	324/6TC	20.87	23.23	10.24	33.58	13.98	2.05	14.96	19.69	3.15	1.54	1-8	0.5
	365/5TC	20.87	23.23	10.24	34.65	13.98	2.05	14.96	19.69	3.15	1.54	1-8	0.63
	405TC	20.87	23.23	10.24	36.61	13.98	2.05	14.96	19.69	3.15	1.54	1-8	0.75

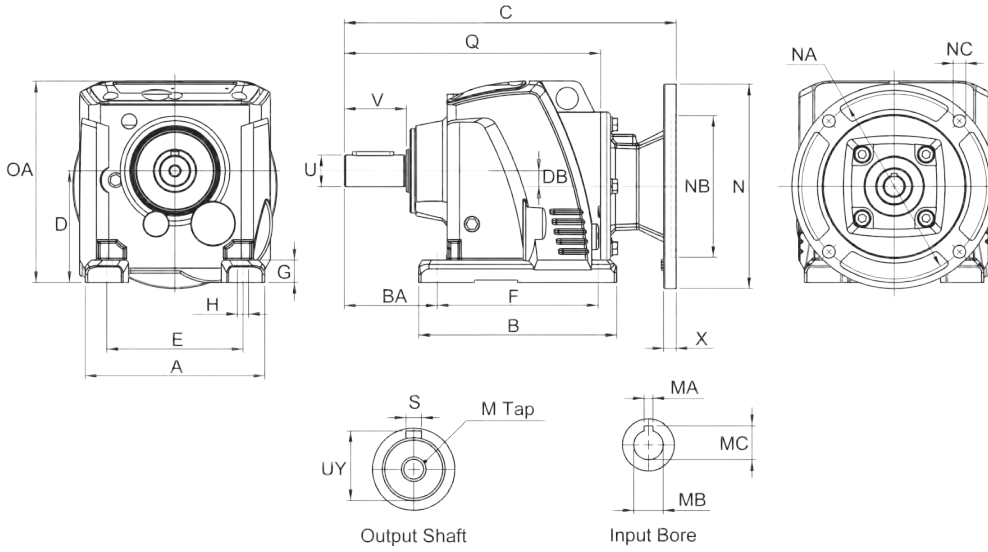
Dimensions shown in this catalog are for general use only.
 RX model dimensions are not shown
 For an exact drawing on a specific rating, please contact our sales office.



WORLDWIDE GEAR REDUCERS

Inline Helical Speed Reducers

Dimensions



ALL DIMENSIONS IN INCHES

Box Size	NEMA Frame	MB	MC	N	NA	NB	NC	OA	Q	S	U	UY	V	X
37	56C	0.63	0.72	6.5	5.88	4.5	4 x 0.41	6.4	8.15	0.25	1.0	1.11	1.97	0.39
	145TC	0.88	0.97	6.5	5.88	4.5	4 x 0.41	6.4	8.15	0.25	1.0	1.11	1.97	0.47
47	56C	0.63	0.72	6.5	5.88	4.5	4 x 0.41	8.25	9.41	0.25	1.25	1.36	2.36	0.39
	145TC	0.88	0.97	6.5	5.88	4.5	4 x 0.41	8.25	9.41	0.25	1.25	1.36	2.36	0.47
	182/4TC	1.13	1.25	9	7.25	8.5	4 x 0.55	8.25	9.41	0.25	1.25	1.36	2.36	0.67
67	56C	0.63	0.72	6.5	5.88	4.5	4 x 0.41	8.89	10.98	0.31	1.38	1.51	2.76	0.39
	145TC	0.88	0.97	6.5	5.88	4.5	4 x 0.41	8.89	10.98	0.31	1.38	1.51	2.76	0.47
	182/4TC	1.13	1.25	9	7.25	8.5	4 x 0.55	8.89	10.98	0.31	1.38	1.51	2.76	0.67
77	56C	0.63	0.72	6.5	5.88	4.5	4 x 0.41	10.04	11.91	0.38	1.63	1.79	3.15	0.39
	145TC	0.88	0.97	6.5	5.88	4.5	4 x 0.41	10.04	11.91	0.38	1.63	1.79	3.15	0.47
	182/4TC	1.13	1.25	9	7.25	8.5	4 x 0.55	10.04	11.91	0.38	1.63	1.79	3.15	0.67
	213/5TC	1.38	1.53	9	7.25	8.5	4 x 0.55	10.04	11.91	0.38	1.63	1.79	3.15	0.67
87	145TC	0.88	0.97	6.5	5.88	4.5	4 x 0.41	12.99	14.65	0.5	2.13	2.34	3.94	0.47
	182/4TC	1.13	0.68	9	7.25	8.5	4 x 0.55	12.99	14.65	0.5	2.13	2.34	3.94	0.67
	213/5TC	1.38	0.88	9	7.25	8.5	4 x 0.55	12.99	14.65	0.5	2.13	2.34	3.94	0.67
97	182/4TC	1.13	0.68	9	7.25	8.5	4 x 0.55	15.16	17.32	0.63	2.38	2.65	4.72	0.67
	213/5TC	1.38	0.88	9	7.25	8.5	4 x 0.55	15.16	17.32	0.63	2.38	2.65	4.72	0.67
	254/6TC	1.63	1.81	10	7.25	8.5	4 x 0.55	15.16	17.32	0.63	2.38	2.65	4.72	0.79
	284/6TC	1.88	1.10	11.26	9	10.5	4 x 0.59	15.16	17.32	0.63	2.38	2.65	4.72	0.79
107	213/5TC	1.38	1.52	9	7.25	8.5	4 x 0.55	15.92	19.49	0.75	2.88	3.2	5.51	0.67
	254/6TC	1.63	1.81	10	7.25	8.5	4 x 0.55	15.92	19.49	0.75	2.88	3.2	5.51	0.79
	284/6TC	1.88	2.13	11.26	9	10.5	4 x 0.59	15.92	19.49	0.75	2.88	3.2	5.51	0.79
	324/6TC	2.13	2.38	14.02	11	12.5	4 x 0.65	15.92	19.49	0.75	2.88	3.2	5.51	0.79
137	254/6TC	1.63	1.81	10	7.25	8.5	4 x 0.55	19.29	23.23	0.88	3.63	4.01	6.69	0.79
	284/6TC	1.88	2.13	11.26	9	10.5	4 x 0.59	19.29	23.23	0.88	3.63	4.01	6.69	0.79
	324/6TC	2.13	2.38	14.02	11	12.5	4 x 0.65	19.29	23.23	0.88	3.63	4.01	6.69	0.79
	364/5TC	2.38	2.65	14.02	11	12.5	4 x 0.65	19.29	23.23	0.88	3.63	4.01	6.69	0.87
147	254/6TC	1.63	1.81	10	7.25	8.5	4 x 0.55	24.96	27.36	1	4.38	4.82	8.27	0.79
	284/6TC	1.88	2.13	11.26	9	10.5	4 x 0.59	24.96	27.36	1	4.38	4.82	8.27	0.79
	324/6TC	2.13	2.38	14.02	11	12.5	4 x 0.65	24.96	27.36	1	4.38	4.82	8.27	0.79
	365/5TC	2.38	2.65	14.02	11	12.5	4 x 0.65	24.96	27.36	1	4.38	4.82	8.27	0.87
	405TC	2.88	3.21	13.88	11	12.5	4 x 0.73	24.96	27.36	1	4.38	4.82	8.27	0.75

Dimensions shown in this catalog are for general use only.
 RX model dimensions are not shown
 For an exact drawing on a specific rating, please contact our sales office.

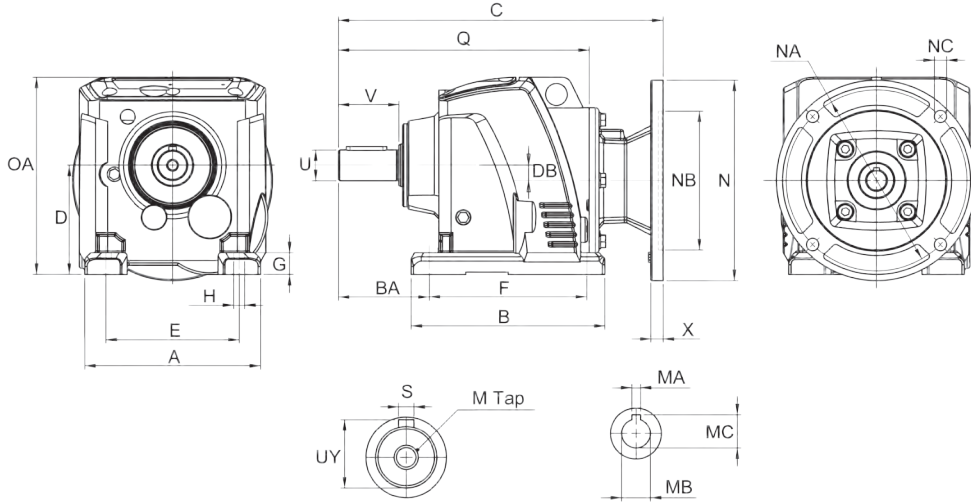
**INLINE HELICAL
 SPEED REDUCERS**



WORLDWIDE GEAR REDUCERS

Inline Helical Speed Reducers

Competitor Dimensional Comparison - SEW Eurodrive



ALL DIMENSIONS IN INCHES

Box Size	NEMA Frame	SEW Model	A	B	BA	C	D	DB	E	F	G	H	M (UNC)	MA
37	56C	R37	5.71	6.30	2.95	11.77	3.54	0.40	4.33	5.12	0.71	0.35	3/8 - 16	0.19
	145TC		5.71	6.30	2.95	12.70	3.54	0.40	4.33	5.12	0.71	0.35	3/8 - 16	0.19
47	56C	R47	6.69	7.68	3.54	12.86	4.53	0.55	5.31	6.50	0.94	0.53	1/2 - 13	0.19
	145TC		6.69	7.68	3.54	13.78	4.53	0.55	5.31	6.50	0.94	0.53	1/2 - 13	0.19
	182/4TC		6.69	7.68	3.54	15.26	4.53	0.55	5.31	6.50	0.94	0.53	1/2 - 13	0.25
67	56C	R67	8.27	9.25	3.94	14.63	5.12	0.81	5.91	7.68	1.18	0.55	1/2 - 13	0.19
	145TC		8.27	9.25	3.94	15.55	5.12	0.81	5.91	7.68	1.18	0.55	1/2 - 13	0.19
	182/4TC		8.27	9.25	3.94	17.03	5.12	0.81	5.91	7.68	1.18	0.55	1/2 - 13	0.25
77	56C	R77	9.06	9.65	4.53	15.18	5.51	0.63	6.69	8.07	1.18	0.69	5/8 - 11	0.19
	145TC		9.06	9.65	4.53	16.06	5.51	0.63	6.69	8.07	1.18	0.69	5/8 - 11	0.19
	182/4TC		9.06	9.65	4.53	17.50	5.51	0.63	6.69	8.07	1.18	0.69	5/8 - 11	0.25
	213/5TC		9.06	9.65	4.53	19.43	5.51	0.63	6.69	8.07	1.18	0.69	5/8 - 11	0.31
87	145TC	R87	11.42	12.20	5.51	18.71	7.09	0.50	8.46	10.24	1.77	0.69	3/4 - 10	0.19
	182/4TC		11.42	12.20	5.51	20.15	7.09	0.50	8.46	10.24	1.77	0.69	3/4 - 10	0.25
	213/5TC		11.42	12.20	5.51	22.07	7.09	0.50	8.46	10.24	1.77	0.69	3/4 - 10	0.31
97	182/4TC	R97	13.39	14.37	6.30	22.62	8.86	0.40	9.84	12.20	2.17	0.87	3/4 - 10	0.25
	213/5TC		13.39	14.37	6.30	24.55	8.86	0.40	9.84	12.20	2.17	0.87	3/4 - 10	0.31
	254/6TC		13.39	14.37	6.30	26.54	8.86	0.40	9.84	12.20	2.17	0.87	3/4 - 10	0.38
	284/6TC		13.39	14.37	6.30	26.81	8.86	0.40	9.84	12.20	2.17	0.87	3/4 - 10	0.50
107	213/5TC	R107	15.75	17.32	7.28	26.48	9.84	0.80	11.42	14.57	2.56	1.02	3/4 - 10	0.31
	254/6TC		15.75	17.32	7.28	28.47	9.84	0.80	11.42	14.57	2.56	1.02	3/4 - 10	0.38
	284/6TC		15.75	17.32	7.28	28.75	9.84	0.80	11.42	14.57	2.56	1.02	3/4 - 10	0.50
	324/6TC		15.75	17.32	7.28	31.11	9.84	0.80	11.42	14.57	2.56	1.02	3/4 - 10	0.50
137	254/6TC	R137	17.72	19.29	8.66	31.89	12.40	0.99	13.39	16.14	2.76	1.30	1 - 8	0.38
	284/6TC		17.72	19.29	8.66	32.17	12.40	0.99	13.39	16.14	2.76	1.30	1 - 8	0.50
	324/6TC		17.72	19.29	8.66	34.53	12.40	0.99	13.39	16.14	2.76	1.30	1 - 8	0.50
	365/5TC		17.72	19.29	8.66	34.53	12.40	0.99	13.39	16.14	2.76	1.30	1 - 8	0.63
147	254/6TC	R147	20.87	23.23	10.24	35.75	13.98	1.31	14.96	19.69	3.15	1.54	1 - 8	0.38
	284/6TC		20.87	23.23	10.24	36.02	13.98	1.31	14.96	19.69	3.15	1.54	1 - 8	0.50
	324/6TC		20.87	23.23	10.24	38.39	13.98	1.31	14.96	19.69	3.15	1.54	1 - 8	0.50
	365/5TC		20.87	23.23	10.24	38.39	13.98	1.31	14.96	19.69	3.15	1.54	1 - 8	0.63

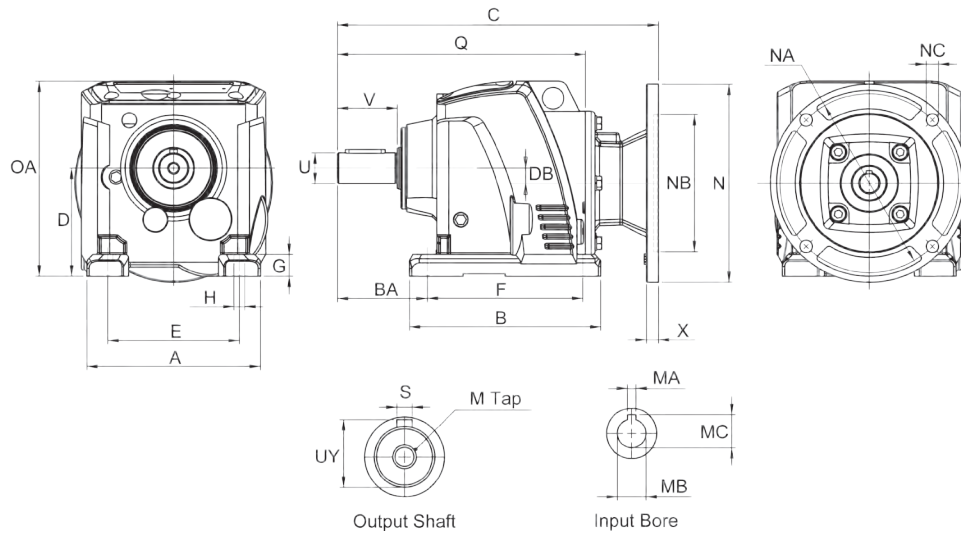
SEW Eurodrive dimensional data was derived from their Catalog - US - GM.
Blue shaded cells indicate a dimensional difference.



WORLDWIDE GEAR REDUCERS

Inline Helical Speed Reducers

Competitor Dimensional Comparison - SEW Eurodrive



ALL DIMENSIONS IN INCHES

Box Size	NEMA Frame	SEW Model	MB	MC	N	NA	NB	NC	OA	Q	S	U	UY	V	X
37	56C	R37	0.63	0.71	6.69	5.87	4.50	4 x 0.41	5.94	7.91	0.25	1.00	1.11	1.97	0.61
	145TC		0.88	0.97	6.69	5.87	4.50	4 x 0.41	5.94	7.91	0.25	1.00	1.11	1.97	0.65
47	56C	R47	0.63	0.71	6.69	5.87	4.50	4 x 0.41	7.36	9.25	0.25	1.25	1.36	2.36	0.61
	145TC		0.88	0.97	6.69	5.87	4.50	4 x 0.41	7.36	9.25	0.25	1.25	1.36	2.36	0.65
	182/4TC		1.13	1.25	8.98	7.24	8.50	4 x 0.59	7.36	9.25	0.25	1.25	1.36	2.36	0.59
67	56C	R67	0.63	0.71	6.69	5.87	4.50	4 x 0.41	8.35	11.02	0.31	1.38	1.51	2.76	0.61
	145TC		0.88	0.97	6.69	5.87	4.50	4 x 0.41	8.35	11.02	0.31	1.38	1.51	2.76	0.65
	182/4TC		1.13	1.25	8.98	7.24	8.50	4 x 0.59	8.35	11.02	0.31	1.38	1.51	2.76	0.59
77	56C	R77	0.63	0.71	6.69	5.87	4.50	4 x 0.41	8.98	11.81	0.38	1.63	1.79	3.15	0.61
	145TC		0.88	0.97	6.69	5.87	4.50	4 x 0.41	8.98	11.81	0.38	1.63	1.79	3.15	0.65
	182/4TC		1.13	1.25	8.98	7.24	8.50	4 x 0.59	8.98	11.81	0.38	1.63	1.79	3.15	0.59
	213/5TC		1.38	1.52	8.98	7.24	8.50	4 x 0.59	8.98	11.81	0.38	1.63	1.79	3.15	0.63
87	145TC	R87	0.88	0.97	6.69	5.87	4.50	4 x 0.41	11.61	14.65	0.50	2.13	2.35	3.94	0.65
	182/4TC		1.13	1.25	8.98	7.24	8.50	4 x 0.59	11.61	14.65	0.50	2.13	2.35	3.94	0.59
	213/5TC		1.38	1.52	8.98	7.24	8.50	4 x 0.59	11.61	14.65	0.50	2.13	2.35	3.94	0.63
97	182/4TC	R97	1.13	1.25	8.98	7.24	8.50	4 x 0.59	14.49	17.32	0.63	2.38	2.65	4.72	0.59
	213/5TC		1.38	1.52	8.98	7.24	8.50	4 x 0.59	14.49	17.32	0.63	2.38	2.65	4.72	0.63
	254/6TC		1.63	1.80	8.98	7.24	8.50	4 x 0.59	14.49	17.32	0.63	2.38	2.65	4.72	0.67
	284/6TC		1.88	2.10	11.26	9.00	10.50	4 x 0.59	14.49	17.32	0.63	2.38	2.65	4.72	0.99
107	213/5TC	R107	1.38	1.52	8.98	7.24	8.50	4 x 0.59	16.06	19.49	0.75	2.88	3.20	5.51	0.63
	254/6TC		1.63	1.80	8.98	7.24	8.50	4 x 0.59	16.06	19.49	0.75	2.88	3.20	5.51	0.67
	284/6TC		1.88	2.10	11.26	9.00	10.50	4 x 0.59	16.06	19.49	0.75	2.88	3.20	5.51	0.79
	324/6TC		2.13	2.36	14.02	11.00	12.50	4 x 0.69	16.06	19.49	0.75	2.88	3.20	5.51	0.87
137	254/6TC	R137	1.63	1.80	8.98	7.24	8.50	4 x 0.59	19.49	23.19	0.88	3.63	4.01	6.69	0.67
	284/6TC		1.88	2.10	11.26	9.00	10.50	4 x 0.59	19.49	23.19	0.88	3.63	4.01	6.69	0.79
	324/6TC		2.13	2.36	14.02	11.00	12.50	4 x 0.69	19.49	23.19	0.88	3.63	4.01	6.69	0.87
	365/5TC		2.38	2.66	14.02	11.00	12.50	4 x 0.69	19.49	23.19	0.88	3.63	4.01	6.69	0.87
147	254/6TC	R147	1.63	1.80	8.98	7.24	8.50	4 x 0.59	22.24	27.36	1.00	4.38	4.82	8.27	0.67
	284/6TC		1.88	2.10	11.26	9.00	10.50	4 x 0.59	22.24	27.36	1.00	4.38	4.82	8.27	0.79
	324/6TC		2.13	2.36	14.02	11.00	12.50	4 x 0.69	22.24	27.36	1.00	4.38	4.82	8.27	0.87
	365/5TC		2.38	2.66	14.02	11.00	12.50	4 x 0.69	22.24	27.36	1.00	4.38	4.82	8.27	0.87

INLINE HELICAL SPEED REDUCERS

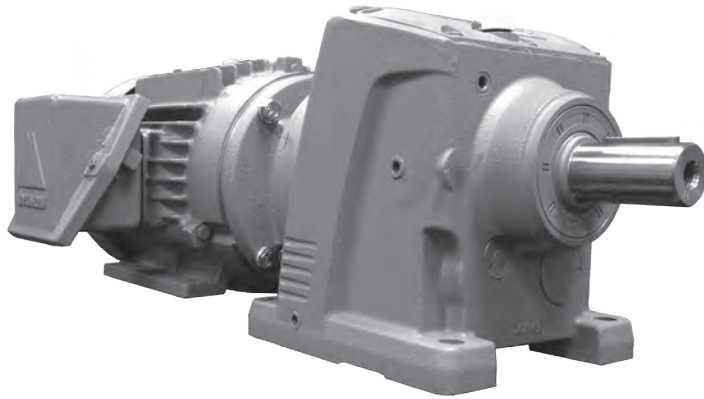
SEW Eurodrive dimensional data was derived from their Catalog - US - GM. Blue shaded cells indicate a dimensional difference.



WORLDWIDE GEAR REDUCERS

Gearmotors

Product Overview / Mechanical Ratings



Product Overview

- 1 HP - 75 HP
- 5:1 - 120:1 ratios
- 3 year warranty
- Lead time - 2 weeks

Motor

- TEFC enclosure
- Dual rated service factor
- 1.15 for 40°C / 1.0 for 65°C
- Class F insulation
- Rigid base
- Premium Efficiency, meets or exceeds EISA 2007 requirements defined in NEMA MG-1 table 12-12

Gearbox

- All cast iron housings for unquestioned strength and reliability
- Gears are precision processed for better rotation and quieter operation
- No coupling necessary
- Drop-in for most major European-produced inline reducer brands

GEARMOTORS

Motor				Gearbox							Gearmotor	
Motor HP	RPM	Voltage	Motor Frame	Ratio	Output RPM @ 1800 RPM Input	Input HP	Output Torque (lbs In.)	O.H.L. (lbs.)	Stages	Approx Weight (lbs.)	Model Number	List Price
1	1800	208-230/460	143TC	20:1	88	1	678	371	2	84	WINL37C-20/1-H118	-
2	1800	208-230/460	145TC	5:1	359	2	332	223	2	86	WINL37C-5/1-H218	-
2	1800	208-230/460	145TC	10:1	175	2	682	279	2	86	WINL37C-10/1-H218	-
2	1800	208-230/460	145TC	15:1	111	2	1075	333	2	86	WINL37C-15/1-H218	-
2	1800	208-230/460	145TC	20:1	88	2	1356	371	2	86	WINL37C-20/1-H218	-
2	1800	208-230/460	145TC	30:1	56	2	2131	414	3	86	WINL37C-30/1-H218	-
2	1800	208-230/460	145TC	5:1	361	2	331	277	2	105	WINL47C-5/1-H218	-
2	1800	208-230/460	145TC	20:1	95	2	1256	465	2	105	WINL47C-20/1-H218	-
2	1800	208-230/460	145TC	30:1	55	2	2104	519	3	105	WINL47C-30/1-H218	-
2	1800	208-230/460	145TC	5:1	334	2	347	364	2	128	WINL67C-5/1-H218	-
2	1800	208-230/460	145TC	15:1	114	2	1050	1020	3	128	WINL67C-15/1-H218	-
2	1800	208-230/460	145TC	30:1	55	2	2104	652	3	128	WINL67C-30/1-H218	-
2	1800	208-230/460	145TC	40:1	42	2	2756	726	3	128	WINL67C-40/1-H218	-
2	1800	208-230/460	145TC	50:1	34	2	3404	767	3	128	WINL67C-50/1-H218	-
2	1800	208-230/460	145TC	50:1	33	2	3507	908	3	138	WINL77C-50/1-H218	-
2	1800	208-230/460	145TC	60:1	30	2	3858	937	3	138	WINL77C-60/1-H218	-
2	1800	208-230/460	145TC	80:1	21	2	5511	1117	3	138	WINL77C-80/1-H218	-
2	1800	208-230/460	145TC	100:1	19	2	6091	1147	3	138	WINL77C-100/1-H218	-
2	1800	208-230/460	145TC	50:1	36	2	3215	1870	3	215	WINL87C-50/1-H218	-
2	1800	208-230/460	145TC	60:1	28	2	4133	2048	3	215	WINL87C-60/1-H218	-
2	1800	208-230/460	145TC	80:1	20	2	5787	2264	3	215	WINL87C-80/1-H218	-
2	1800	208-230/460	145TC	110:1	16	2	7233	2464	3	215	WINL87C-110/1-H218	-
2	1800	208-230/460	145TC	120:1	14	2	8267	2534	3	215	WINL87C-120/1-H218	-

Continued On Next Page



WORLDWIDE GEAR REDUCERS

Gearmotors

Product Overview / Mechanical Ratings



Motor				Gearbox							Gearmotor	
Motor HP	RPM	Voltage	Motor Frame	Ratio	Output RPM @ 1800 RPM Input	Input HP	Output Torque (lbs In.)	O.H.L. (lbs.)	Stages	Approx Weight (lbs.)	Model Number	List Price
3	1800	208-230/460	182TC	5:1	361	3	496	277	2	140	WINL47C-5/1-H318	-
3	1800	208-230/460	182TC	10:1	155	3	1155	384	2	140	WINL47C-10/1-H318	-
3	1800	208-230/460	182TC	15:1	135	3	2378	617	3	140	WINL47C-15/1-H318-3S	-
3	1800	208-230/460	182TC	15:1	115	3	1556	429	2	140	WINL47C-15/1-H318	-
3	1800	208-230/460	182TC	20:1	95	3	1884	465	2	140	WINL47C-20/1-H318	-
3	1800	208-230/460	182TC	30:1	55	3	3254	519	3	140	WINL47C-30/1-H318	-
3	1800	208-230/460	182TC	5:1	334	3	520	364	2	163	WINL67C-5/1-H318	-
3	1800	208-230/460	182TC	10:1	177	3	981	441	2	163	WINL67C-10/1-H318	-
3	1800	208-230/460	182TC	20:1	76	3	2284	582	3	163	WINL67C-20/1-H318	-
3	1800	208-230/460	182TC	5:1	366	3	489	389	2	173	WINL77C-5/1-H318	-
3	1800	208-230/460	182TC	20:1	75	3	2386	652	2	173	WINL77C-20/1-H318	-
3	1800	208-230/460	182TC	30:1	55	3	3156	733	3	173	WINL77C-30/1-H318	-
3	1800	208-230/460	182TC	40:1	45	3	3858	787	3	173	WINL77C-40/1-H318	-
3	1800	208-230/460	182TC	20:1	87	3	1995	1410	3	250	WINL87C-20/1-H318	-
3	1800	208-230/460	182TC	30:1	55	3	3156	1641	3	250	WINL87C-30/1-H318	-
3	1800	208-230/460	182TC	40:1	46	3	3774	1720	3	250	WINL87C-40/1-H318	-
3	1800	208-230/460	182TC	50:1	36	3	4822	1870	3	250	WINL87C-50/1-H318	-
3	1800	208-230/460	182TC	60:1	28	3	6200	2048	3	250	WINL87C-60/1-H318	-
3	1800	208-230/460	182TC	80:1	20	3	8680	2264	3	250	WINL87C-80/1-H318	-
3	1800	208-230/460	182TC	80:1	21	3	8267	3231	3	334	WINL97C-80/1-H318	-
3	1800	208-230/460	182TC	100:1	18	3	9645	3444	3	334	WINL97C-100/1-H318	-
3	1800	208-230/460	182TC	120:1	14	3	12400	3855	3	334	WINL97C-120/1-H318	-
5	1800	208-230/460	184TC	5:1	361	5	826	277	2	155	WINL47C-5/1-H518	-
5	1800	208-230/460	184TC	5:1	334	5	893	364	2	178	WINL67C-5/1-H518	-
5	1800	208-230/460	184TC	10:1	177	5	1685	441	2	178	WINL67C-10/1-H518	-
5	1800	208-230/460	184TC	12.53	140	5	2135	955	2	178	WINL67C-12.53/1-H518	-
5	1800	208-230/460	184TC	5:1	366	5	815	389	2	188	WINL77C-5/1-H518	-
5	1800	208-230/460	184TC	20:1	87	5	3326	1410	3	265	WINL87C-20/1-H518	-
5	1800	208-230/460	184TC	25:1	69	5	4190	1365	3	188	WINL77C-25/1-H518	-
5	1800	208-230/460	184TC	30:1	55	5	5260	1480	3	188	WINL77C-30/1-H518	-
5	1800	208-230/460	184TC	30:1	55	5	5261	1641	3	265	WINL87C-30/1-H518	-
5	1800	208-230/460	184TC	40:1	46	5	6290	1720	3	265	WINL87C-40/1-H518	-
5	1800	208-230/460	184TC	50:1	36	5	8037	1870	3	265	WINL87C-50/1-H518	-
5	1800	208-230/460	184TC	80:1	20	5	13778	3231	3	349	WINL97C-80/1-H518	-
5	1800	208-230/460	184TC	100:1	18	5	16074	3444	3	349	WINL97C-100/1-H518	-
5	1800	208-230/460	184TC	120:1	14	5	20667	3855	3	349	WINL97C-120/1-H518	-
7.5	1800	208-230/460	213TC	5:1	366	7.5	1222	389	2	233	WINL77C-5/1-H7.518	-
7.5	1800	208-230/460	213TC	10:1	160	7.5	2796	499	2	233	WINL77C-10/1-H7.518	-
7.5	1800	208-230/460	213TC	5:1	370	7.5	1209	870	2	310	WINL87C-5/1-H7.518	-
7.5	1800	208-230/460	213TC	10:1	164	7.5	2728	1122	2	310	WINL87C-10/1-H7.518	-
7.5	1800	208-230/460	213TC	20:1	87	7.5	4989	1410	3	310	WINL87C-20/1-H7.518	-
7.5	1800	208-230/460	213TC	30:1	60	7.5	7233	2084	3	394	WINL97C-30/1-H7.518	-
7.5	1800	208-230/460	213TC	40:1	39	7.5	11128	2405	3	394	WINL97C-40/1-H7.518	-

GEARMOTORS

Continued On Next Page



WORLDWIDE GEAR REDUCERS

Gearmotors

Product Overview / Mechanical Ratings



Motor				Gearbox							Gearmotor	
Motor HP	RPM	Voltage	Motor Frame	Ratio	Output RPM @ 1800 RPM Input	Input HP	Output Torque (lbs In.)	O.H.L. (lbs.)	Stages	Approx Weight (lbs.)	Model Number	List Price
7.5	1800	208-230/460	213TC	50:1	34	7.5	12765	2686	3	394	WINL97C-50/1-H7.518	-
7.5	1800	208-230/460	213TC	60:1	29	7.5	14966	2851	3	394	WINL97C-60/1-H7.518	-
7.5	1800	208-230/460	213TC	80:1	21	7.5	20667	3231	3	394	WINL97C-80/1-H7.518	-
7.5	1800	208-230/460	213TC	50:1	33	7.5	13145	4422	3	561	WINL107C-50/1-H7.518	-
7.5	1800	208-230/460	213TC	60:1	28	7.5	15599	4794	3	561	WINL107C-60/1-H7.518	-
7.5	1800	208-230/460	213TC	80:1	22	7.5	19827	5309	3	561	WINL107C-80/1-H7.518	-
7.5	1800	208-230/460	213TC	120:1	15	7.5	26909	5938	3	561	WINL107C-120/1-H7.518	-
10	1800	208-230/460	215TC	5:1	366	10	1630	389	2	248	WINL77C-5/1-H1018	-
10	1800	208-230/460	215TC	5:1	370	10	1612	870	2	325	WINL87C-5/1-H1018	-
10	1800	208-230/460	215TC	10:1	164	10	3638	1122	2	325	WINL87C-10/1-H1018	-
10	1800	208-230/460	215TC	30:1	60	10	9645	2084	3	409	WINL97C-30/1-H1018	-
10	1800	208-230/460	215TC	40:1	39	10	14838	2405	3	409	WINL97C-40/1-H1018	-
10	1800	208-230/460	215TC	50:1	34	10	17020	2686	3	409	WINL97C-50/1-H1018	-
10	1800	208-230/460	215TC	60:1	29	10	19954	2851	3	409	WINL97C-60/1-H1018	-
10	1800	208-230/460	215TC	50:1	33	10	17526	4422	3	576	WINL107C-50/1-H1018	-
10	1800	208-230/460	215TC	60:1	28	10	20799	4794	3	576	WINL107C-60/1-H1018	-
10	1800	208-230/460	215TC	80:1	22	10	26436	5309	3	576	WINL107C-80/1-H1018	-
10	1800	208-230/460	215TC	120:1	15	10	38192	5938	3	576	WINL107C-120/1-H1018	-
15	1800	208-230/460	254TC	5:1	370	15	2419	870	2	420	WINL87C-5/1-H1518	-
15	1800	208-230/460	254TC	5:1	323	15	2770	1191	2	504	WINL97C-5/1-H1518	-
15	1800	208-230/460	254TC	20:1	82	15	10913	1875	2	504	WINL97C-20/1-H1518	-
15	1800	208-230/460	254TC	30:1	60	15	14467	2084	3	504	WINL97C-30/1-H1518	-
15	1800	208-230/460	254TC	40:1	44	15	19600	3951	3	671	WINL107C-40/1-H1518	-
15	1800	208-230/460	254TC	50:1	33	15	26289	4422	3	671	WINL107C-50/1-H1518	-
15	1800	208-230/460	254TC	60:1	28	15	31198	4794	3	671	WINL107C-60/1-H1518	-
15	1800	208-230/460	254TC	50:1	35	15	24734	5545	3	879	WINL137C-50/1-H1518	-
15	1800	208-230/460	254TC	60:1	30	15	29178	6331	3	879	WINL137C-60/1-H1518	-
15	1800	208-230/460	254TC	80:1	22	15	39002	6802	3	879	WINL137C-80/1-H1518	-
15	1800	208-230/460	254TC	120:1	15	15	57847	7835	3	879	WINL137C-120/1-H1518	-
20	1800	208-230/460	256TC	5:1	323	20	3694	1191	2	544	WINL97C-5/1-H2018	-
20	1800	208-230/460	256TC	20:1	82	20	14551	1875	2	544	WINL97C-20/1-H2018	-
20	1800	208-230/460	256TC	40:1	44	20	26134	3951	3	711	WINL107C-40/1-H2018	-
20	1800	208-230/460	256TC	50:1	33	20	35053	4422	3	711	WINL107C-50/1-H2018	-
20	1800	208-230/460	256TC	50:1	35	20	33156	5545	3	919	WINL137C-50/1-H2018	-
20	1800	208-230/460	256TC	60:1	30	20	39113	6331	3	919	WINL137C-60/1-H2018	-
20	1800	208-230/460	256TC	80:1	22	20	52281	6802	3	919	WINL137C-80/1-H2018	-
20	1800	208-230/460	256TC	50:1	29	20	33392	12320	3	1215	WINL147C-50/1-H2018	-
20	1800	208-230/460	256TC	60:1	24	20	39935	13090	3	1215	WINL147C-60/1-H2018	-
20	1800	208-230/460	256TC	80:1	17	20	55087	13640	3	1215	WINL147C-80/1-H2018	-
20	1800	208-230/460	256TC	120:1	12	20	77567	13640	3	1215	WINL147C-120/1-H2018	-

GEARMOTORS



WORLDWIDE GEAR REDUCERS

Gearmotors

Product Overview / Mechanical Ratings



Motor				Gearbox							Gearmotor	
Motor HP	RPM	Voltage	Motor Frame	Ratio	Output RPM @ 1800 RPM Input	Input HP	Output Torque (lbs In.)	O.H.L. (lbs.)	Stages	Approx Weight (lbs.)	Model Number	List Price
25	1800	208-230/460	284TC	5:1	323	25	4617	1191	2	624	WINL97C-5/1-H2518	-
25	1800	208-230/460	284TC	10:1	175	25	8522	1459	2	624	WINL97C-10/1-H2518	-
25	1800	208-230/460	284TC	20:1	86	25	16726	3054	3	791	WINL107C-20/1-H2518	-
25	1800	208-230/460	284TC	30:1	60	25	24164	3502	3	791	WINL107C-30/1-H2518	-
25	1800	208-230/460	284TC	40:1	40	25	35756	5017	3	999	WINL137C-40/1-H2518	-
25	1800	208-230/460	284TC	50:1	35	25	41445	5545	3	999	WINL137C-50/1-H2518	-
25	1800	208-230/460	284TC	40:1	35	25	34469	11550	3	1295	WINL147C-40/1-H2518	-
25	1800	208-230/460	284TC	50:1	29	25	41740	12320	3	1295	WINL147C-50/1-H2518	-
25	1800	208-230/460	284TC	80:1	17	25	68859	13640	3	1295	WINL147C-80/1-H2518	-
30	1800	208-230/460	286TC	5:1	323	30	5541	1191	2	654	WINL97C-5/1-H3018	-
30	1800	208-230/460	286TC	10:1	175	30	10227	1459	2	654	WINL97C-10/1-H3018	-
30	1800	208-230/460	286TC	20:1	86	30	20072	3054	3	821	WINL107C-20/1-H3018	-
30	1800	208-230/460	286TC	30:1	60	30	28997	3502	3	821	WINL107C-30/1-H3018	-
30	1800	208-230/460	286TC	40:1	40	30	42908	5017	3	1029	WINL137C-40/1-H3018	-
30	1800	208-230/460	286TC	50:1	35	30	49734	5545	3	1029	WINL137C-50/1-H3018	-
30	1800	208-230/460	286TC	40:1	35	30	41362	11550	3	1325	WINL147C-40/1-H3018	-
30	1800	208-230/460	286TC	50:1	29	30	50088	12320	3	1325	WINL147C-50/1-H3018	-
30	1800	208-230/460	286TC	80:1	17	30	82631	13640	3	1325	WINL147C-80/1-H3018	-
40	1800	208-230/460	324TC	10:1	168	40	14240	2581	2	961	WINL107C-10/1-H4018	-
40	1800	208-230/460	324TC	20:1	86	40	26762	3054	3	961	WINL107C-20/1-H4018	-
40	1800	208-230/460	324TC	30:1	53	40	43401	4467	3	1169	WINL137C-30/1-H4018	-
40	1800	208-230/460	324TC	40:1	40	40	57210	5017	3	1169	WINL137C-40/1-H4018	-
40	1800	208-230/460	324TC	30:1	48	40	39980	10340	3	1465	WINL147C-30/1-H4018	-
40	1800	208-230/460	324TC	40:1	35	40	55150	11550	3	1465	WINL147C-40/1-H4018	-
40	1800	208-230/460	324TC	60:1	24	40	79869	13090	3	1465	WINL147C-60/1-H4018	-
50	1800	208-230/460	326TC	5:1	389	50	7665	2110	2	971	WINL107C-5/1-H5018	-
50	1800	208-230/460	326TC	10:1	168	50	17800	2581	2	971	WINL107C-10/1-H5018	-
50	1800	208-230/460	326TC	30:1	53	50	54251	4467	3	1179	WINL137C-30/1-H5018	-
50	1800	208-230/460	326TC	30:1	48	50	49975	10340	3	1475	WINL147C-30/1-H5018	-
50	1800	208-230/460	326TC	40:1	35	50	68937	11550	3	1475	WINL147C-40/1-H5018	-
60	1800	208-230/460	364TC	10:1	173	60	20699	3266	2	1399	WINL137C-10/1-H6018	-
60	1800	208-230/460	364TC	20:1	85	60	41026	3491	3	1399	WINL137C-20/1-H6018	-
60	1800	208-230/460	364TC	5:1	350	60	10227	5700	2	1695	WINL147C-5/1-H7518	-
60	1800	208-230/460	364TC	20:1	73	60	39662	9020	3	1695	WINL147C-20/1-H6018	-
60	1800	208-230/460	364TC	30:1	48	60	59970	10340	3	1695	WINL147C-30/1-H6018	-
75	1800	208-230/460	365TC	10:1	173	75	25874	3266	2	1439	WINL137C-10/1-H7518	-
75	1800	208-230/460	365TC	20:1	85	75	51282	3491	3	1439	WINL137C-20/1-H7518	-
75	1800	208-230/460	365TC	5:1	350	75	12784	5700	2	1735	WINL147C-5/1-H7518	-
75	1800	208-230/460	365TC	20:1	73	75	49578	9020	3	1735	WINL147C-20/1-H7518	-
75	1800	208-230/460	365TC	30:1	48	75	74962	10340	3	1735	WINL147C-30/1-H7518	-

GEARMOTORS



WORLDWIDE GEAR REDUCERS

A.G.M.A. Service Factor & Load Class Information

Classes Of Service and Service Factors



How To Read A.G.M.A. Service Factors Table

- The ratings for gear drives in this manual are based on a service factor of 1.00, for uniform load and uniform power source, up to 10 hours of operation per day. For other operating conditions, the application horsepower or torque must be multiplied by the appropriate service factor, to determine the equivalent gear drive power rating. A gear drive should be selected with a rated capacity equal to or greater than the equivalent rating. A condensed service factor chart is located in the selection information pages for each type of gear drive or reducer.
- A.G.M.A. Service Factors for Worm and Helical Worm Reducers are listed on pages 49 to 50.
- Table 1 indicates the relationship between service factors and load classification numbers.
- The A.G.M.A. service factors are based on a uniform power source. If other power sources are used, the service factors must be converted using Table 2. Determine the required service factor with uniform power source. Locate that service factor in the first column and read straight across to obtain required service factor with multi-cylinder or single cylinder engines.
- Service factors do not need to be used with thermal ratings.
- Service Factor charts are for general guidelines in determining required service factors. Past experience may indicate that different service factors are required. Consult the factory for unusual or severe applications, or when there are any safety considerations.

TABLE 1 - LOAD CLASSIFICATION NUMBERS

Load Class (S.F.)	Up to 3 Hours Total Operation Per Day	3 to 10 Hours Total Operation Per Day	Over 10 Hours Total Operation Per Day
I (1.0)	Moderate Shock Load	Uniform Load	---
II (1.4)	Heavy Shock Load	Moderate Shock Load	Uniform Load
III (2.0)	---	Heavy Shock Load	Moderate Shock Load

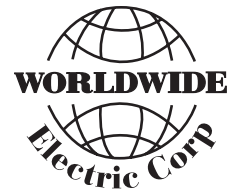
TABLE 2 - SERVICE FACTOR CONVERSION BASED ON TYPE OF POWER SOURCE

Steam or Gas Turbine Hydraulic or Electric Motor	Multi-Cylinder Engine	Single Cylinder Engine
1.00	1.25	1.50
1.25	1.50	1.75
1.50	1.75	2.00
1.75	2.00	2.25
2.00	2.25	2.50
2.50	2.75	3.00
3.00	3.25	3.50

WORLDWIDE GEAR REDUCERS

A.G.M.A. Service Factor & Load Class Information

A.G.M.A. Service Factors for Worm Gear Reducers and Gearmotors



Application	Total Operation		
	Up To 3 Hrs. Per Day	3-10 Hrs. Per Day	Over 10 Hrs. Per Day
Agitators (mixers)			
Pure liquids	---	1.00	1.25
Liquids and solids	1.00	1.25	1.50
Liquids-variable density	1.00	1.25	1.50
Blowers			
Centrifugal	---	1.00	1.25
Lobe	1.00	1.25	1.50
Vane	---	1.00	1.25
Brewing and distilling			
Bottling machinery	---	1.00	1.25
Brew kettles-continuous duty	---	1.00	1.25
Cookers-continuous duty	---	1.00	1.25
Mash tubs-continuous duty	---	1.00	1.25
Scale hopper-frequent starts	1.00	1.25	1.50
Can filling machines	---	1.00	1.25
Car dumpers	1.25	1.50	1.75
Car pullers	1.00	1.25	1.50
Clarifiers	---	1.00	1.25
Classifiers	1.00	1.25	1.50
Clay working machinery			
Brick press	1.25	1.50	1.75
Briquette machine	1.25	1.50	1.75
Pug mill	1.00	1.25	1.50
Compactors	1.50	1.75	2.00
Compressors			
Centrifugal	---	1.00	1.25
Lobe	1.00	1.25	1.50
Reciprocating, multi-cylinder	1.00	1.25	1.50
Reciprocating, single-cylinder	1.25	1.50	1.75
Conveyors-general purpose			
Uniformly loaded or fed	---	1.00	1.25
Not uniformly fed	1.00	1.25	1.50
Reciprocating or shaker	1.25	1.50	1.75
Cranes			
Dry dock			
Main hoist	1.25	1.50	1.75
Auxiliary hoist	1.25	1.50	1.75
Boom hoist	1.25	1.50	1.75
Slewing drive	1.25	1.50	1.75
Traction drive	1.50	1.50	1.50
Container			
Main hoist	---	---	---
Boom hoist	---	---	---
Trolley drive, Gantry drive	---	---	---
Trolley drive, Traction drive	---	---	---
Mill duty			
Main hoist	---	---	---
Auxiliary	---	---	---
Bridge	---	---	---
Trolley travel	---	---	---
Industrial duty			
Main	---	---	---
Auxiliary	---	---	---
Bridge	---	---	---
Trolley travel	---	---	---
Crushers			
Stone or ore	1.50	1.75	2.00
Dredges			
Cable reels	1.00	1.25	1.50
Conveyors	1.00	1.25	1.50
Cutter head drives	1.25	1.50	1.75
Pumps	1.00	1.25	1.50
Screen drives	1.25	1.50	1.75
Stackers	1.00	1.25	1.50
Winches	1.00	1.25	1.50
Elevators			
Bucket	1.00	1.25	1.50
Centrifugal discharge	---	1.00	1.25
Escalators	---	---	---
Freight	---	---	---
Gravity discharge	---	1.00	1.25
Extruders			
General	1.25	1.25	1.25
Plastics			
Variable speed drive	1.50	1.50	1.50
Fixed speed drive	1.75	1.75	1.75
Rubber			
Continuous screw operation	1.50	1.50	1.50
Intermittent screw operation	1.75	1.75	1.75

Application	Total Operation		
	Up To 3 Hrs. Per Day	3-10 Hrs. Per Day	Over 10 Hrs. Per Day
Fans			
Centrifugal	---	1.00	1.25
Cooling towers	---	---	---
Forced draft	1.25	1.25	1.25
Induced draft	1.00	1.25	1.50
Industrial and mine	1.00	1.25	1.50
Feeders			
Apron	---	1.25	1.50
Belt	1.00	1.25	1.50
Disc	---	1.00	1.25
Reciprocating	1.25	1.50	1.75
Screw	1.00	1.25	1.50
Food industry			
Cereal cooker	---	1.00	1.25
Dough mixer	1.00	1.25	1.50
Meat grinders	1.00	1.25	1.50
Slicers	1.00	1.25	1.50
Generators and exciters	---	1.00	1.25
Hammer mills	1.50	1.50	1.75
Hoists			
Heavy duty	1.25	1.50	1.75
Medium duty	1.00	1.25	1.50
Skip hoist	1.00	1.25	1.50
Laundry			
Tumblers	1.00	1.25	1.50
Washers	1.25	1.25	1.50
Lumber industry			
Barkers-spindle feed	1.25	1.25	1.50
Main drive	1.50	1.50	1.50
Conveyors-burner	1.25	1.25	1.50
Main or heavy duty	1.50	1.50	1.50
Main log	1.50	1.50	1.75
Re-saw, merry-go-round	1.25	1.25	1.50
Conveyors			
Slab	1.50	1.50	1.75
Transfer	1.25	1.25	1.50
Chains			
Floor	1.50	1.50	1.50
Green	1.50	1.50	1.50
Cut-off saws			
Chain	1.50	1.50	1.50
Drag	1.50	1.50	1.50
Debarking drums	1.50	1.50	1.75
Feeds			
Edger	1.25	1.25	1.50
Gang	1.50	1.50	1.50
Trimmer	1.25	1.25	1.50
Log deck	1.50	1.50	1.50
Log hauls-incline-well type	1.50	1.50	1.50
Log turning devices	1.50	1.50	1.50
Planer feed	1.25	1.25	1.50
Planer tilting hoists	1.50	1.50	1.50
Rolls-live-off bearing-roll cases	1.50	1.50	1.50
Sorting table	1.25	1.50	1.50
Tipple hoist	1.25	1.25	1.50
Transfers			
Chain	1.50	1.50	1.50
Craneway	1.50	1.50	1.50
Tray drives	1.25	1.25	1.50
Veneer lathe drives	---	---	---
Metal mills			
Draw bench carriage and main drive	1.00	1.25	1.50
Runout table			
Non-reversing, Group drives	1.00	1.25	1.50
Non-reversing, Individual drives	1.50	1.50	1.75
Reversing	1.50	1.50	1.75
Slab pushers	1.25	1.25	1.50
Shears	1.50	1.50	1.75
Wire drawing	1.00	1.25	1.50
Wire winding machine	1.00	1.25	1.50
Metal strip processing machinery			
Bridles	1.25	1.25	1.50
Coilers and uncoilers	1.00	1.00	1.25
Edge trimmers	1.00	1.25	1.50
Flatteners	1.25	1.25	1.50
Loopers (accumulators)	1.00	1.00	1.00
Pinch rolls	1.25	1.25	1.50
Scrap choppers	1.00	1.25	1.50
Shears	1.50	1.50	1.75
Slitters	1.00	1.25	1.50

A.G.M.A. SERVICE FACTOR & LOAD CLASS INFORMATION



WORLDWIDE GEAR REDUCERS

A.G.M.A. Service Factor & Load Class Information

A.G.M.A. Service Factors for Worm Gear Reducers and Gearmotors



Application	Total Operation		
	Up To 3 Hrs. Per Day	3-10 Hrs. Per Day	Over 10 Hrs. Per Day
Mills, rotary type			
Ball & rod			
Spur ring gear	1.50	1.50	1.75
Helical ring gear	1.50	1.50	1.50
Direct connected	1.50	1.50	1.75
Cement kilns	1.50	1.50	1.50
Dryers & coolers	1.50	1.50	1.50
Mixers			
Concrete	1.00	1.25	1.50
Paper mills			
Agitator (mixer)	1.50	1.50	1.50
Agitator for pure liquors	1.25	1.25	1.25
Barking drums	1.75	1.75	1.75
Barkers - mechanical	1.75	1.75	1.75
Beater	1.50	1.50	1.50
Breaker stack	1.25	1.25	1.25
Calender 2)	1.25	1.25	1.25
Chipper	1.75	1.75	1.75
Chip feeder	1.50	1.50	1.50
Coating rolls	1.25	1.25	1.25
Conveyors			
Chip, bark, chemical	1.25	1.25	1.25
Log (including slab)	1.75	1.75	1.75
Couch rolls	1.25	1.25	1.25
Cutter	1.75	1.75	1.75
Cylinder molds	1.25	1.25	1.25
Dryers 2)			
Paper machine	1.25	1.25	1.25
Conveyor type	1.25	1.25	1.25
Embosses	1.25	1.25	1.25
Extruder	1.50	1.50	1.50
Fourdrinier rolls	1.25	1.25	1.25
(includes lump breaker, dandy roll, wire turning, and return rolls)			
Jordan	1.25	1.25	1.25
Kiln drive	1.50	1.50	1.50
Mt. Hope roll	1.25	1.25	1.25
Paper rolls	1.25	1.25	1.25
Platter	1.50	1.50	1.50
Presses - felt & suction	1.25	1.25	1.25
Pulper	1.50	1.50	1.75
Pumps - vacuum	1.50	1.50	1.50
Reel (surface type)	1.25	1.25	1.50
Screens			
Chip	1.50	1.50	1.50
Rotary	1.50	1.50	1.50
Vibrating	1.75	1.75	1.75
Size press	1.25	1.25	1.25
Super calender 3)	1.25	1.25	1.25
Thickener (AC motor)	1.50	1.50	1.50
(DC motor)	1.25	1.25	1.25
Washer (AC motor)	1.50	1.50	1.50
(DC motor)	1.25	1.25	1.25
Wind and unwind stand	1.00	1.00	1.00
Winders (surface type)	1.25	1.25	1.25
Yankee dryers 2)	1.25	1.25	1.25
Plastic industry			
Primary processing			
Intensive internal mixers			
Batch mixers	1.75	1.75	1.75
Continuous mixers	1.50	1.50	1.50
Batch drop mill - 2 smooth rolls	1.25	1.25	1.25
Continuous feed, holding, blend mill	1.25	1.25	1.25
Compounding mill	1.25	1.25	1.25
Calenders	1.50	1.50	1.50

Application	Total Operation		
	Up To 3 Hrs. Per Day	3-10 Hrs. Per Day	Over 10 Hrs. Per Day
Plastic industry (continued)			
Secondary processing			
Blow molders	1.50	1.50	1.50
Coating	1.25	1.25	1.25
Film	1.25	1.25	1.25
Pipe	1.25	1.25	1.25
Pre-plasticizers	1.50	1.50	1.50
Rods	1.25	1.25	1.25
Sheet	1.25	1.25	1.25
Tubing	1.25	1.25	1.50
Pullers - barge haul	1.00	1.50	1.75
Pumps			
Centrifugal	---	1.00	1.25
Proportioning	1.00	1.25	1.50
Reciprocating			
Single acting, 3 or more cylinders	1.00	1.25	1.50
Double acting, 2 or more cylinders	1.00	1.25	1.50
Rotary			
Gear type	---	1.00	1.50
Lobe	---	1.00	1.25
Vane	---	1.00	1.25
Rubber industry			
Intensive internal mixers			
Batch mixers	1.50	1.70	1.75
Continuous mixers	1.25	1.50	1.50
Mixing mill - 2 smooth rolls (if corrugated rolls are used, then use the same service factors that are used for a cracker warmer)	1.50	1.50	1.50
Batch drop mill - 2 smooth rolls	1.50	1.50	1.50
Cracker warmer - 2 rolls; 1 corrugated roll	1.75	1.75	1.75
Cracker - 2 corrugated rolls	1.75	1.75	1.75
Holding, feed & blend mill - 2 rolls	1.25	1.25	1.25
Refiner - 2 rolls	1.50	1.50	1.50
Calenders	1.50	1.50	1.50
Sand muller	1.00	1.25	1.50
Sewage disposal equipment			
Bar screens	---	1.00	1.25
Chemical feeders	1.00	1.00	1.25
Dewatering screens	1.00	1.25	1.50
Scum breakers	1.00	1.25	1.50
Slow or rapid mixers	1.00	1.25	1.50
Sludge collectors	1.00	1.00	1.25
Thickeners	1.00	1.25	1.50
Vacuum filters	1.00	1.25	1.50
Screens			
Air washing	---	1.00	1.25
Rotary - stone or gravel	1.00	1.25	1.50
Traveling water intake	---	1.00	1.25
Sugar industry			
Beet slicer	1.50	1.50	1.75
Cane knives	1.50	1.50	1.50
Crushers	1.50	1.50	1.50
Mills (low speed end)	1.50	1.50	1.50
Textile industry			
Batchers	1.00	1.25	1.50
Calenders	1.00	1.25	1.50
Cards	1.00	1.25	1.50
Dry cans	1.00	1.25	1.50
Dryers	1.00	1.25	1.50
Dyeing machinery	1.00	1.25	1.50
Looms	1.00	1.25	1.50
Mangles	1.00	1.25	1.50
Nappers	1.00	1.25	1.50
Pads	1.00	1.25	1.50
Slashers	1.00	1.25	1.50
Soapers	1.00	1.25	1.50
Spinners	1.00	1.25	1.50
Tenter frames	1.00	1.25	1.50
Washers	1.00	1.25	1.50
Winders	1.00	1.25	1.50

NOTES:

- 1) * Unspecified service factors shall be 1.00 or as agreed upon between user and manufacturer.
- 2) Anti-friction bearings only. Use 1.50 for sleeve bearings.
- 3) A service factor of 1.00 may be applied at base speed of a super calender operating over-speed range is greater than 1.5 to 1. A service factor of 1.25 is applicable to super calenders operating over the entire speed range at constant torque or where the constant horsepower speed range is less than 1.5 to 1.

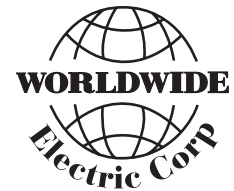
A.G.M.A. SERVICE FACTOR & LOAD CLASS INFORMATION



WORLDWIDE GEAR REDUCERS

A.G.M.A. Service Factor & Load Class Information

A.G.M.A. Load Classification Numbers for Shaft Mount Reducers



Application	Class Numbers		
	Up To 3 Hrs. Per Day	3-10 Hrs. Per Day	Over 10 Hrs. Per Day
Agitators (mixers)			
Pure liquids	I	I	II
Liquids and solids	I	II	II
Liquids-variable density	I	II	II
Blowers			
Centrifugal	I	I	II
Lobe	I	II	II
Vane	I	II	II
Brewing and distilling			
Bottling machinery	I	I	II
Brew kettles-continuous duty	II	II	II
Cookers-continuous duty	II	II	II
Mash tubs-continuous duty	II	II	II
Scale hopper-frequent starts	II	II	II
Can filling machines	I	I	II
Car dumpers	I	III	III
Car pullers	I	II	II
Clarifiers	I	I	II
Classifiers	I	II	II
Clay working machinery			
Brick press	II	III	III
Briquette machine	II	III	III
Pug mill	I	II	II
Compactors	III	III	III
Compressors			
Centrifugal	I	I	II
Lobe	I	II	II
Reciprocating, multi-cylinder	II	II	III
Reciprocating, single-cylinder	III	III	III
Cranes 1)			
Dry dock			
Main hoist	2.50	2.50	2.50
Auxiliary hoist	2.50	2.50	3.00
Boom hoist	2.50	2.50	3.00
Slewing drive	2.50	2.50	3.00
Traction drive	3.00	3.00	3.00
Container			
Main hoist	3.00	3.00	3.00
Boom hoist	2.00	2.00	2.00
Trolley drive, Gantry drive	3.00	3.00	3.00
Trolley drive, Traction drive	2.00	2.00	2.00
Mill duty			
Main hoist	3.50	3.50	3.50
Auxiliary	3.50	3.50	3.50
Bridge	2.50	3.00	3.00
Trolley travel	2.50	3.00	3.00
Industrial duty			
Main	2.50	2.50	3.00
Auxiliary	2.50	2.50	3.00
Bridge	2.50	3.00	3.00
Trolley travel	2.50	3.00	3.00
Crushers			
Stone or ore	III	III	III
Dredges			
Cable reels	II	II	II
Conveyors	II	II	II
Cutter head drives	III	III	III
Pumps	III	III	III
Screen drives	III	III	III
Stackers	II	II	II
Winches	II	II	II
Elevators			
Bucket	I	II	II
Centrifugal discharge	I	I	II
Escalators	I	I	II
Freight	I	II	II
Gravity discharge	I	I	II
Extruders			
General	II	II	II
Plastics			
Variable speed drive	III	III	III
Fixed speed drive	III	III	III
Rubber			
Continuous screw operation	III	III	III
Intermittent screw operation	III	III	III

Application	Class Numbers		
	Up To 3 Hrs. Per Day	3-10 Hrs. Per Day	Over 10 Hrs. Per Day
Fans			
Centrifugal	I	I	II
Cooling towers	III	III	III
Forced draft	II	II	II
Induced draft	II	II	II
Industrial and mine	II	II	II
Feeders			
Apron	I	II	II
Belt	I	II	II
Disc	I	I	II
Reciprocating	II	III	III
Screw	I	II	II
Food industry			
Cereal cooker	I	I	II
Dough mixer	II	II	II
Meat grinders	II	II	II
Slicers	I	II	II
Generators and exciters	II	II	II
Hammer mills	III	III	III
Hoists			
Heavy duty	III	III	III
Medium duty	II	II	II
Skip hoist	II	II	II
Laundry			
Tumblers	II	II	II
Washers	II	II	III
Lumber industry			
Barkers-spindle feed	II	II	II
Main drive	III	III	III
Conveyors-burner	II	II	II
Main or heavy duty	II	II	II
Main log	III	III	III
Re-saw, merry-go-round	II	II	II
Conveyors			
Slab	III	III	III
Transfer	II	II	II
Chains			
Floor	II	II	II
Green	II	II	III
Cut-off saws			
Chain	II	II	III
Drag	II	II	III
Debarking drums	III	III	III
Feeds			
Edger	II	II	II
Gang	III	III	III
Trimmer	II	II	II
Log deck	III	III	III
Log hauls-incline-well type	III	III	III
Log turning devices	III	III	III
Planer feed	II	II	II
Planer tilting hoists	II	II	II
Rolls-live-off bearing-roll cases	III	III	III
Sorting table	II	II	II
Tipple hoist	II	II	II
Transfers			
Chain	II	II	III
Craneway	II	II	III
Tray drives	II	II	II
Veneer lathe drives	II	II	II
Metal mills			
Draw bench carriage and main drive	II	II	II
Runout table			
Non-reversing, Group drives	II	II	II
Non-reversing, Individual drives	III	III	III
Reversing	III	III	III
Slab pushers	II	II	II
Shears	III	III	III
Wire drawing	II	II	II
Wire winding machine	II	II	II
Metal strip processing machinery			
Bridles	II	II	II
Coilers and uncoilers	I	I	II
Edge trimmers	I	II	II
Flatteners	II	I	II
Loopers (accumulators)	I	I	I
Pinch rolls	II	II	II
Scrap choppers	II	II	II
Shears	III	III	III
Slitters	I	II	II

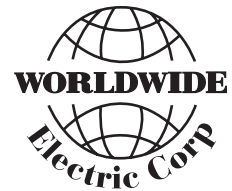
A.G.M.A. SERVICE FACTOR & LOAD CLASS INFORMATION



WORLDWIDE GEAR REDUCERS

A.G.M.A. Service Factor & Load Class Information

A.G.M.A. Load Classification Numbers for Shaft Mount Reducers



Application	Class Numbers		
	Up To 3 Hrs. Per Day	3-10 Hrs. Per Day	Over 10 Hrs. Per Day
Mills, rotary type			
Ball & rod			
Spur ring gear	III	III	III
Helical ring gear	II	II	II
Direct connected	III	III	III
Cement kilns	II	II	II
Dryers & coolers	II	II	II
Mixers			
Concrete	II	II	II
Paper mills			
Agitator (mixer)	II	II	II
Agitator for pure liquors	II	II	II
Barking drums	III	III	III
Barkers - mechanical	III	III	III
Beater	II	II	II
Breaker stack	II	II	II
Calendar 2)	II	II	II
Chipper	III	III	III
Chip feeder	II	II	II
Coating rolls	II	II	II
Conveyors			
Chip, bark, chemical	II	II	II
Log (including slab)	III	III	III
Couch rolls	II	II	II
Cutter	III	III	III
Cylinder molds	II	II	II
Dryers 2)			
Paper machine	II	II	II
Conveyor type	II	II	II
Embossor	II	II	II
Extruder	II	II	II
Fourdrinier rolls (includes lump breaker, dandy roll, wire turning, and return rolls)	II	II	II
Jordan	II	II	II
Kiln drive	II	II	II
Mt. Hope roll	II	II	II
Paper rolls	II	II	II
Platter	II	II	II
Presses - felt & suction	II	II	II
Pulper	III	III	III
Pumps - vacuum	II	II	II
Reel (surface type)	II	II	II
Screens			
Chip	II	II	II
Rotary	II	II	II
Vibrating	II	III	III
Size press	II	II	II
Super calendar 3)	II	II	II
Thickener (AC motor)	II	II	II
(DC motor)	II	II	II
Washer (AC motor)	II	II	II
(DC motor)	II	II	II
Wind and unwind stand	I	I	I
Winders (surface type)	II	II	II
Yankee dryers 2)	II	II	II
Plastic industry			
Primary processing			
Intensive internal mixers			
Batch mixers	III	III	III
Continuous mixers	II	II	II
Batch drop mill - 2 smooth rolls	II	II	II
Continuous feed, holding, blend mill	II	II	II
Calenders	II	II	II

Application	Class Numbers		
	Up To 3 Hrs. Per Day	3-10 Hrs. Per Day	Over 10 Hrs. Per Day
Plastic industry (continued)			
Secondary processing			
Blow molders	II	II	II
Coating	II	II	II
Film	II	II	II
Pipe	II	II	II
Pre-plasticizers	II	II	II
Rods	II	II	II
Sheet	II	II	II
Tubing	II	II	II
Pullers - barge haul	II	II	II
Pumps			
Centrifugal	I	I	II
Proportioning	II	II	II
Reciprocating			
Single acting, 3 or more cylinders	II	II	II
Double acting, 2 or more cylinders	II	II	II
Rotary			
Gear type	I	I	II
Lobe	I	I	II
Vane	I	I	II
Rubber industry			
Intensive internal mixers			
Batch mixers	III	III	III
Continuous mixers	II	II	II
Mixing mill - 2 smooth rolls	II	II	II
Mixing mill - 1 or 2 corrugated rolls	III	III	III
Batch drop mill - 2 smooth rolls	II	II	II
Cracker warmer - 2 rolls; 1 corrugated roll	III	III	III
Cracker - 2 corrugated rolls	III	III	III
Holding, feed & blend mill - 2 rolls	II	II	II
Refiner - 2 rolls	II	II	II
Calenders	II	II	II
Sand muller	II	II	II
Sewage disposal equipment			
Bar screens	II	II	II
Chemical feeders	II	II	II
Dewatering screens	II	II	II
Scum breakers	II	II	II
Slow or rapid mixers	II	II	II
Sludge collectors	II	II	II
Thickeners	II	II	II
Vacuum filters	II	II	II
Screens			
Air washing	I	I	II
Rotary - stone or gravel	II	II	II
Traveling water intake	I	I	I
Screw conveyors			
Uniformly loaded or fed	I	I	II
Heavy duty	I	II	II
Sugar industry			
Beet slicer	III	III	III
Cane knives	II	II	II
Crushers	II	II	II
Mills (low speed end)	III	III	III
Textile industry			
Batchers	II	II	II
Calenders	II	II	II
Cards	II	II	II
Dry cans	II	II	II
Dryers	II	II	II
Dyeing machinery	II	II	II
Looms	II	II	II
Mangles	II	II	II
Nappers	II	II	II
Pads	II	II	II
Slashers	II	II	II
Soapers	II	II	II
Spinners	II	II	II
Tenter frames	II	II	II
Washers	II	II	II
Winders	II	II	II

NOTES:

- 1) Crane drives are to be selected based on gear tooth bending strength, using the numeric service factors in this table. Service factor in durability shall be a minimum of 1.00.
- 2) Anti-friction bearings only.
- 3) A class number of I may be applied at base speed of a super calendar operating over-speed range or part range constant horsepower, part range constant torque where the constant horsepower speed range is greater than 1.5 to 1. A class number of II is applicable to super calendars operating over the entire speed range at constant torque or where the constant horsepower speed range is less than 1.5 to 1.

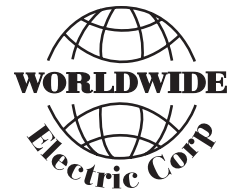
A.G.M.A. SERVICE FACTOR & LOAD CLASS INFORMATION



WORLDWIDE GEAR REDUCERS

Reference

Terms and Conditions of Sale



1. **WARRANTY** – WORLDWIDE ELECTRIC CORPORATION (“SELLER”) MAKES NO WARRANTY OF MERCHANTABILITY OR FITNESS FOR ANY PARTICULAR PURPOSE IN RESPECT TO THE PRODUCT AND THERE IS NO WARRANTY EXPRESS OR IMPLIED EXCEPT THAT THE PRODUCT SHALL BE OF THE KIND AND QUALITY DESCRIBED IN THE SPECIFICATIONS.
2. **DELIVERY** – Unless otherwise stated, delivery will be made f.o.b. point of shipment. Shipping dates are approximate and are based on the prompt receipt of all necessary information from the purchaser.
3. **LOSS, DAMAGE OR DELAY** – Seller shall not be liable for loss, damage, detention, or delay resulting from causes beyond its reasonable control or from fire, strike or other concerted action of workmen, act or omission of any Governmental authority or of the Purchaser, insurrection or riot, embargo, car shortage, wreck or delay in transportation, or inability to obtain necessary labor, materials, or manufacturing facilities from usual sources. In the event of delay due to any such cause, the date of delivery will be postponed by such length of time as may be reasonably necessary to compensate for the delay.
4. **RISK OF LOSS** – Risk of loss of the product, or any part of the same, shall pass to the Purchaser upon delivery of such product or part.
5. **PAYMENTS** – If, in the judgment of Seller, the financial condition of the Purchaser at any time prior to shipment, does not support the terms of payment specified, Seller may require full or partial payment in advance. Pro-rata payments shall become due as shipments are made. If shipments are delayed by the Purchaser, payments shall become due from date when Seller is prepared to make shipment. If manufacture is delayed by the Purchaser, payment shall be made based on the contract price and percent of completion. Products held for Purchaser shall be at the risk and expense of the Purchaser.
6. **PAYMENT BY CREDIT CARD** – If Seller accepts payment by credit card, Purchaser agrees to pay the issuer of the credit card the total amount shown on this invoice upon presentation of a bill, without offset or deduction.
7. **PRICES** – Prices are those in effect at time of shipment. In the event of a published increase or reduction in prices by Seller, the new price will become effective immediately on the unshipped portion of the order, unless stated at the time of the change. In no case, however, will a reduction in price be retroactive to shipments made prior to the date of the price change. Purchaser’s order will be entered promptly upon acceptance by Seller and will not thereafter be subject to Cancellation nor to Deferment of Deliveries without Seller’s written consent, except upon terms which take into proper account the work already done and commitments made by Seller. Prices include the Seller’s standard packing for domestic shipments.
8. **LIMITATION OF LIABILITY** – In no event shall Seller be liable for any special, indirect, incidental, consequential or punitive damages, including but not limited to damages for lost profits or business opportunities or damage to reputation. Seller’s maximum liability for any breach of contract or sale, or any other claim related to the product sold hereunder, shall be limited to the price of the product, or portion thereof, on which such liability is based.
9. **GOVERNING LAW/JURISDICTION/VENUE** – This sale shall be governed by and construed in accordance with the laws of the State of New York, without regard to its conflicts of laws principles, and shall be deemed entered into at Seller’s principal place of business in New York. By purchasing Seller’s product, Purchaser expressly consents, for any litigation arising out of or related to the sale, to the exclusive jurisdiction and venue of the courts of competent jurisdiction located in Monroe County, New York (i.e., the U.S. District Court, Western District of New York, and the New York State Supreme Court, County of Monroe) and waives the right and hereby agrees not to assert, by way of motion, defense or otherwise in any proceeding brought in either of such courts, any claim that it is not subject to the personal jurisdiction of such court, that such proceeding is brought in an inconvenient forum, or that the venue of such proceeding is improper.
10. **TERMINATION** – Any order or contract may be terminated by the Purchaser only upon payment of reasonable charges based upon expenses already incurred and commitments made by Seller.
11. **RETURN OF GOODS** – No product or part shall be returned to the Seller without written authorization and shipping instructions first having been obtained from the Seller. Returns may be subject to freight charge and/or restocking charge, as circumstances dictate.
12. **REPAIR POLICY** – Positively no allowance will be made for repairs if made by others without Seller’s written consent.
13. **NO ASSIGNMENT** – Purchaser’s obligations are not transferable or assignable by operation of law, change of control or ownership, or otherwise, without prior written consent of Seller.



WORLDWIDE GEAR REDUCERS

Reference

Warranty Policy



WorldWide Electric Corporation (The Company) warrants its products to be free from defects in materials or workmanship to the original purchaser for a period of:

<i>"ORIGINAL" SHAFT MOUNT REDUCERS</i>	Two (2) years from date of sale (invoice)
<i>"ULTIMATE" SHAFT MOUNT REDUCERS</i>	Three (3) years from date of sale (invoice)
<i>WORM GEAR REDUCERS</i>	One (1) year from date of sale (invoice)
<i>INLINE HELICAL SPEED REDUCERS</i>	Two (2) years from date of sale (invoice)
<i>GEARMOTORS</i>	Three (3) years from date of sale (invoice)

For this warranty to be effective, this product must be installed, used and maintained by the original purchaser in accordance with good industry standards. The warranty does not cover normal wear, tear and erosion from use, misuse, abuse or corrosion.

In the event of failure, it shall be the responsibility of the original purchaser to notify The Company either in writing or by telephone to make arrangements for the correction of the problem. The purchaser shall be responsible for transportation charges connected with the return, exchange or repair of parts. Returns found defective upon inspection by our warranty department or authorized warranty service agent will be replaced free of charge.

The Company shall not be liable for any labor cost connected with the replacement of the equipment, the replacement of the parts or adjustments to the equipment by the purchaser or their contractor without The Company's prior written approval.

The Company, as the exclusive remedy under this warranty, shall, at it's option, repair or replace defective items or, if agreed upon, refund the purchase price less reasonable allowance for depreciation in exchange for the product.

THE COMPANY MAKES NO OTHER WARRANTIES AND ALL IMPLIED OR EXPRESSED WARRANTIES AND REPRESENTATIONS, EXCEPT THAT OF TITLE, ARE DISCLAIMED. ALL IMPLIED WARRANTIES INCLUDING MERCHANTABILITY AND FITNESS FOR A PARTICULAR PURPOSE OR USE BUT NOT LIMITED TO JUST THOSE THAT ARE DISCLAIMED. LIABILITY FOR CONSEQUENTIAL, INCIDENTAL OR SPECIAL DAMAGES AND LOSSES UNDER ANY AND ALL WARRANTIES WHETHER IN CONTACT, TORT OR OTHERWISE, ARE EXCLUDED TO THE EXTENT EXCLUSION IS PERMITTED BY LAW.